

Troffer Selectable, Gen 3

Instruction Number: P-INT-X-475

Product Series: LTHES3

Use this instruction to install the LTHES3.

Components

- 1 LTHES3 Fixture

Tools Required for Installation

- Cordless drill or Philips Screwdriver and Flat Head Screwdriver
- Wire cutter/stripper

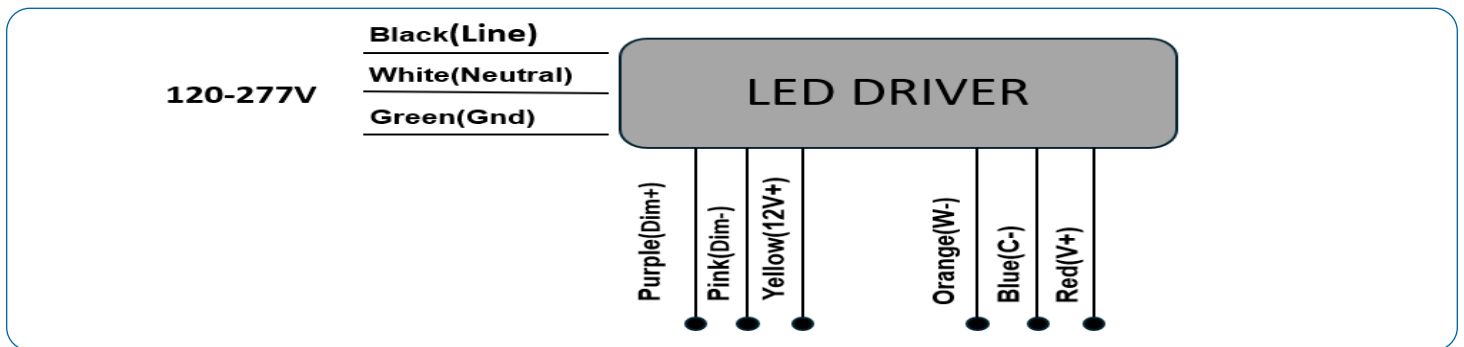


WARNING!

Risk of fire or electric shock. To reduce risk of electrical shock, turn off power supply before installation or servicing.

1. This product should be installed, inspected, and maintained by a qualified electrician only, in accordance with local building codes with the NEC (National Electric Code) and all local codes.
2. Use only UL (or other NRTL) approved wire for input/output connections.
3. Minimum 90°C supply conductors.
4. Make sure LEDs and drivers are cool to touch when performing maintenance.
5. Make sure the supply voltage is the same as the rated voltage of the luminaire.
6. Connections should be capped with UL approved wire connectors.
7. Wear gloves and safety goggles at all times when removing luminaires from carton, installing, servicing or performing maintenance.
8. Avoid direct eye exposure to the illuminated light source.
9. Put aside small parts and dispose packing material properly.
10. To avoid hazards and unnecessary failures due to misuse, please read carefully all warnings and instructions included and all labels.
11. Green ground screw provided in proper location. Do not relocate.
12. Suitable for Damp location, Type IC.
13. Always check the product before installation. Do not install damaged product.

Standard Wiring Diagram



FCC Statement: Any changes or modifications to this unit not expressly approved by the party responsible for compliance could void the user's authority to operate the equipment.

NOTE: This equipment has been tested and found to comply with the limits for a Class A digital device, pursuant to part 15 of the FCC Rules. These limits are designed to provide reasonable protection against harmful interference when the equipment is operated in a commercial environment. This equipment generates, uses, and can radiate radio frequency energy and, if not installed and used in accordance with the instruction manual, may cause harmful interference to radio communications. Operation of this equipment in a residential area is likely to cause harmful interference in which case the user will be required to correct the interference at his own expense.

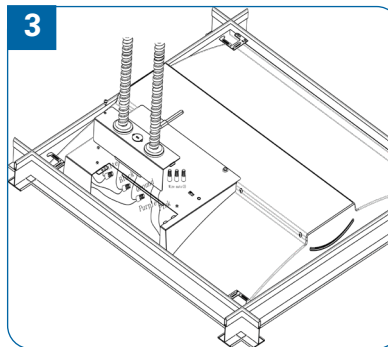
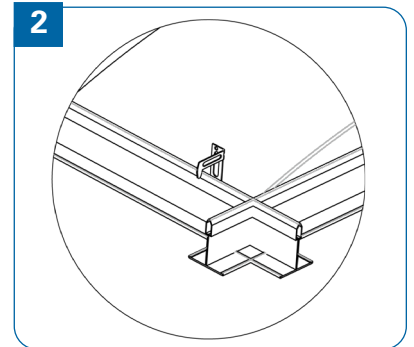
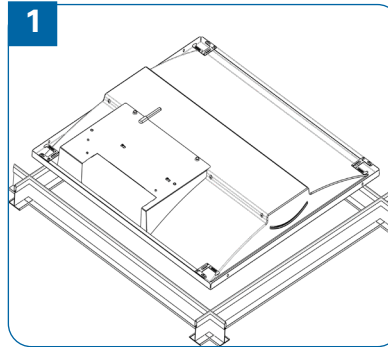
Troffer Selectable, Gen 3

Instruction Number: P-INT-X-475

Product Series: LTHES3

Step-by-Step Instructions

- 1 Remove the fixture from packaging.
- 2 Turn off power supply from main circuit breaker.
- 3 Lay fixture into T-bar grid (See Fig. 1).
- 4 Bend mounting tab 90° on each corner of the fixture so it inserts securely over the T-bar grid (See Fig. 2).
- 5 Remove cover plate opening from driver channel. Secure conduit and incoming power supply wires into cover plate opening. Make electrical connections per NEC and local codes. (See Fig.3)
- 6 Insert all wires into driver channel and reattach the cover plate (Note: Do not pinch wires while closing)
- 7 Restore power and test fixture.

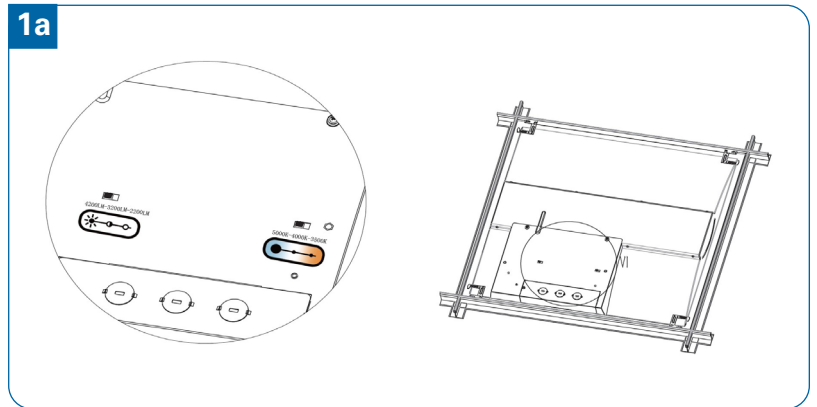


Field Adjustable Wattage and CCT

End users can adjust the color temperature and lumen output to the desired level by using the two dip switches located on the back of the driver channel. Each switch offers three options (3 lumen outputs and 3 color temperatures). See below for configurations and Fig. 1a for switch locations.

CCT	3500K	4000K	5000K
-----	-------	-------	-------

Size	Lumen Output		
2x2	2200	3200	4200
2x4	3200	4200	5700



Troffer Selectable, Gen 3

Instruction Number: P-INT-X-475

Product Series: LTHES3

Use this instruction to install the battery back up kit on the LTHES3 in the field.

Components

- 1 LTHES3 Fixture
- 2 LTHES3-BB10-KIT (battery back up)

Tools Required for Installation

- Cordless drill or Philips Screwdriver and Flat Head Screwdriver
- Wire cutter/stripper
- Battery back up mounting hardware

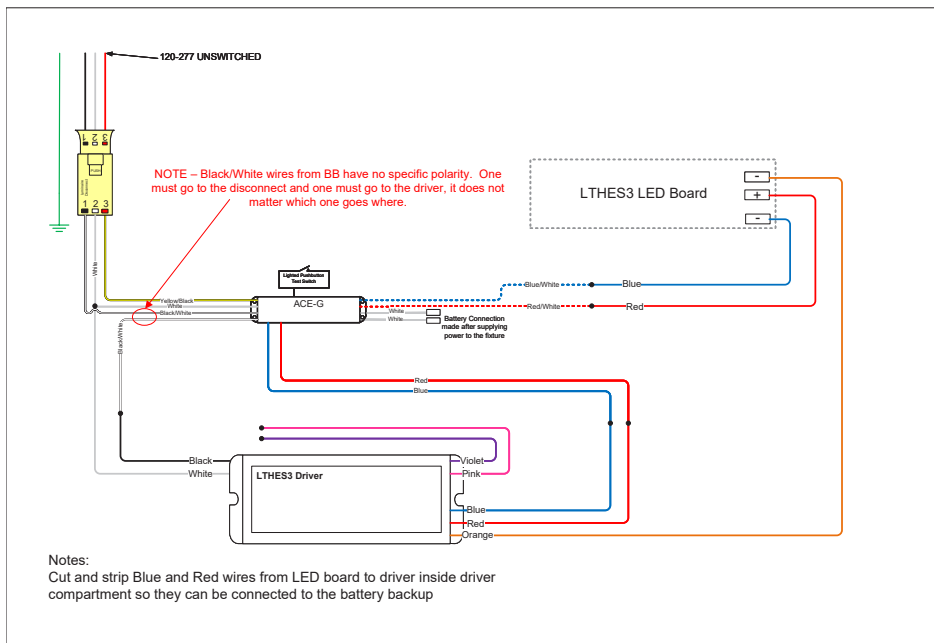


WARNING!

Risk of fire or electric shock. To reduce risk of electrical shock, turn off power supply before installation or servicing.

1. This product should be installed, inspected, and maintained by a qualified electrician only, in accordance with local building codes with the NEC (National Electric Code) and all local codes.
2. Use only UL (or other NRTL) approved wire for input/output connections.
3. Minimum 90°C supply conductors.
4. Make sure LEDs and drivers are cool to touch when performing maintenance.
5. Make sure the supply voltage is the same as the rated voltage of the luminaire.
6. Connections should be capped with UL approved wire connectors.
7. Wear gloves and safety goggles at all times when removing luminaires from carton, installing, servicing or performing maintenance.
8. Avoid direct eye exposure to the illuminated light source.
9. Put aside small parts and dispose packing material properly.
10. To avoid hazards and unnecessary failures due to misuse, please read carefully all warnings and instructions included and all labels.
11. Green ground screw provided in proper location. Do not relocate.
12. Suitable for Damp location, Type IC.
13. Always check the product before installation. Do not install damaged product.

Battery Back Up Wiring Diagram



Troffer Selectable, Gen 3

Instruction Number: P-INT-X-475

Product Series: LTHES3

Step-by-Step Instructions

Note: Emergency mode CCT is only 5000K. See standard instructions for CCT selection and chart.

- 1 Remove the fixture from packaging.
- 2 Turn off power supply from main circuit breaker.
- 3 Remove the driver cover (See Fig. 1b).
- 4 Install the battery back up in the driver box. Make electrical connections per NEC and local codes (see page 3 for wiring diagram and Fig. 2b).
- 5 Drill the test button hole (.47") and install the test button in a general location that remains under the driver cover (See Fig. 3b).
- 6 Reinstall the driver cover (See Fig. 4b).
- 7 See the standard installation instructions to complete the fixture installation.

