

LSWF1

Applications

Full cutoff light output is ideal for exterior walls, entrance ways, pathways and steps. The HARRIS LSWF1 delivers energy savings and reduced maintenance costs and ideally replace any existing traditional style HID wall packs with similar look and size. It is the ultimate flexible wall pack fixture with lumen output and color temperature selection at the point of installation.

Project Name:	
Catalog Number:	
Type:	
Note:	
Date:	



LSWF1A1UNVFD&CSBR-SP



Construction & Design

- Die-cast aluminum housing with UV stabilized powder coat finish for harsh outdoor environments. Bronze fixture housing color is standard. Black and white fixture housing colors available
- UV resistant polycarbonate lens
- Two fixture sizes with selectable power/lumens between 3,000-18,000 lumen outputs provide flexibility to adjust in the field
- 80 CRI minimum; CCT selectable between 3000K, 4000K or 5000K
- Latest generation of LED technology enables fixture to run at lower wattages resulting in additional energy savings
- Meets full cutoff requirements at 90° horizontal

Additional Options

- Battery back up option available [90 minutes; A1 lumen package only]

Electrical

- Available in 120v-277v
- 0-10v Continuous Dimming
- Power Factor >0.90
- Total Harmonic Distortion < 20%
- 10kV/5kA Surge Protection Standard

Lumen Maintenance

See lumen maintenance table on page 2

Control and Sensor Options

- Integrated photocell standard
- Field installed control and sensor options

Fixture Certifications & Listings

- cUL/cULus Listed
- UL Wet Listed
- Dark Sky Compliant. 3000K must be selected to meet International Dark-Sky Association approval criteria
- DesignLights Consortium™ Premium qualified luminaire
- Visit the [DLC QPL](#) for listed models

Warranty

See Orion's [Product Limited Warranty](#) for more details and information

LSWF1

Performance Information, 277v, ≥80 CRI¹

Nominal Lumen Code	Wattage	3000K		4000K		5000K		Input Current
		Actual Lumens	LPW	Actual Lumens	LPW	Actual Lumens	LPW	
A1	24w	2,995lm	125	3,102lm	129	3,059lm	128	0.09A
	30w	3,555lm	118	3,682lm	123	3,631lm	121	0.11A
	40w	4,782lm	120	4,953lm	124	4,885lm	122	0.14A
B1	45w	6,013lm	134	6,768lm	150	6,674lm	148	0.16A
	54w	7,237lm	134	8,146lm	151	8,033lm	149	0.19A
	70w	8,779lm	125	9,881lm	141	9,745lm	139	0.25A
	80w	9,657lm	121	10,870lm	136	10,719lm	134	0.29A
C1	83w	11,480lm	138	11,890lm	143	11,726lm	141	0.30A
	111w	14,614lm	132	15,137lm	136	14,928lm	134	0.40A
	150w	18,421lm	123	19,080lm	127	18,816lm	125	0.54A

Lumen Maintenance²

Nominal Lumen Code	Calculated Lumen Maintenance		
	L70	L80	L90
A1	372,000	228,000	101,000
B1	372,000	228,000	101,000
C1	372,000	228,000	101,000

Additional Specification Information

¹ Actual performance may vary by up to ±10% of values listed; facility factors and fixture options can affect performance values.

² Calculated hours based on TM-21 projections and components used at the time of testing. Warranty is not associated with Calculated Lumen Maintenance

LSWF1

Ordering Information Example (NOTE: No dashes or spaces unless noted below)

LSWF1C1UNVFD8CSBR-SP

Ordering Information

Series	Nominal Lumen Code ³	Voltage	Driver Type	CRI; Color Temp	Fixture Colors	Fixture Options	Packaging Options
LSWF1= HARRIS LED Lumen Selectable Wall pack, Full Cutoff, Gen 1	A1= Lumen Selectable 3,000 lm/ 4,000 lm/ 5,000 lm B1= Lumen Selectable 6,000 lm/ 7,000 lm/ 9,000 lm/ 10,000 lm C1= Lumen Selectable 12,000 lm/ 15,000 lm/ 18,000 lm	UNV= 120v-277v	FD= Factory Wired for Dimming Applications	8CS= 80CRI; Color Selectable 3000K/ 4000K / 5000K	BR= Bronze BL= Black* WH= White* *Note: These fixture colors are special order and have longer lead times	[Blank]= No Options BB= Battery Back Up* ⁴ *Note: Available with A1 model only	-SP= Single Pack

Fixture Options (Field Installed)

Sensor Options	
EXT-LSW-MS-KIT-A1	Microwave Sensor Kit, A1 fixtures only ⁴
EXT-LSW-PIR-KIT-A1	PIR Sensor Kit, A1 fixtures only ⁴
EXT-LSW-MS	Microwave Sensor, B1/C1 fixtures only ⁴
EXT-LSW-PIR	PIR Sensor, B1/C1 fixtures only ⁴
EXT-LSW-RC	Sensor Remote Control



Microwave Sensor
(EXT-LSW-MS)



PIR Sensor
(EXT-LSW-PIR)

Additional Specification Information

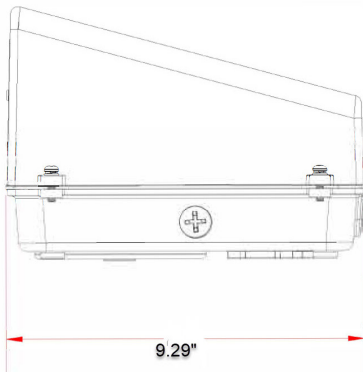
³ For actual lumens, see performance table

⁴ Sensor options are only approved for use when using the max lumen switch position. Power usage and dimming levels are only accurate with the max lumen switch position

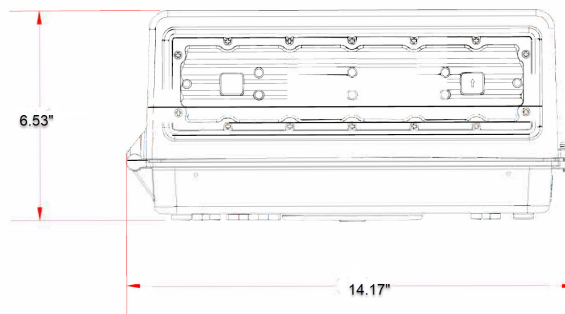
Physical Information⁵

Nominal Lumen Code	Height	Width	Depth	Weight
A1/B1	9.29"	14.17"	6.53"	7.50lbs.
C1	9.29"	14.17"	9.65"	11.20lbs.

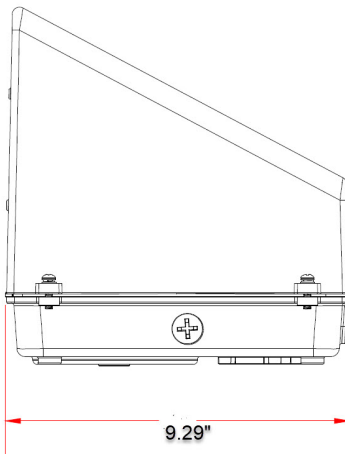
A1/B1 Height



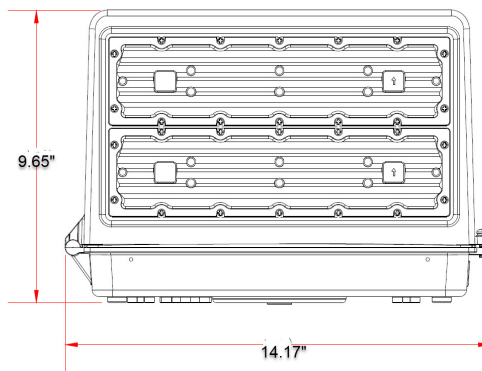
A1/B1 Width and Depth



C1 Height



C1 Width and Depth



Additional Specification Information

⁵ Weight will vary based on option selection

LSWF1

Ambient Operating Temperatures

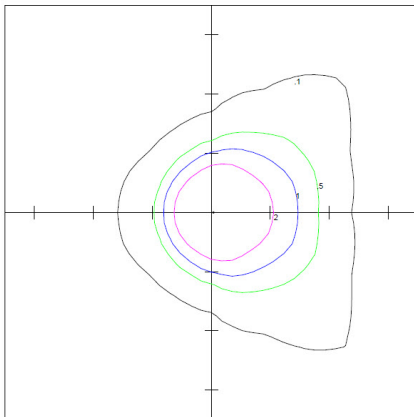
Nominal Lumen Code	Standard Range	With Battery Back Up
All Lumen Packages	-40°C to 50°C [-40°F to 122°F]	-20°C to 50°C [-4°F to 122°F]

Sensor Type	Operating Range
All Sensors	-30°C to 50°C [-22°F to 122°F]

Photometrics

Visit orionlighting.com to obtain all .IES files

C1 850



Distance are in Units of Mounting Height
 Mounting Height 30'
 Max. Calculated Value: 8.09 FC