

AHHA1

Applications

The HARRIS AHHA1 is a round high bay designed for harsh industrial applications in agricultural, warehousing and manufacturing facilities. Low profile robust design makes this fixture ideal for application where chemicals, oils and solvents are used. This LED high bay delivers energy and maintenance savings over traditional HID and fluorescent fixtures.

Project Name:	
Catalog Number:	
Type:	
Note:	
Date:	



AHHA1B1UNHFD85006BL-SP



IP65



Construction & Design

- Highly resilient lens gasket made from Fluoro-Elastomer FKM material. Best choice when dealing with aggressive chemicals, petroleum lubricants, and solvents in high temperature environment
- Die cast aluminum housing provides maximum heat dissipation for applications up to 50°C
- Tempered Glass Lens for maximum protection
- 6' power supply wires comes standard on this fixture
- Mounting Installation: 1/2" NPT Conduit Pendant Mount
- Black color is standard

Additional Options

- Additional Mounting Options available : Flexible 1/2" Trade Size Non- Metallic Conduit with Nylon (PA6) that is highly resistant to solvents and oils
- Field-installed U-bracket for surface of pendant installation. Hook available for the U-bracket

Electrical

- Available in 120v-347v
 - Standard 0-10v dimming driver
 - 6kV/3kA surge protection standard per ANSI C82.77-5 for industrial environments
 - Power Factor > .90*
 - THD < 20%*
- *Note: Varies based on option

Lumen Maintenance

See lumen maintenance table on page 2

Chemical Compatibility

Chemical compatibility is highly dependent on concentration, temperature, humidity, and other environmental variables and therefore the customer assumes responsibility for evaluating product at their site prior to product installation. Orion will provide to the best of our knowledge the type of materials we use to manufacture our luminaires. For additional information please contact Orion representative. [See Page 4 for Chemical Resistant List]

Fixture Certification & Listings

- cULus Listed
- UL Wet Rated
- IP65
- DesignLights Consortium™ Standard qualified luminaire
- Visit the [DLC QPL](#) for listed models

Warranty

See Orion's [Product Limited Warranty](#) for more details and information

Performance Information, 277v, ≥ 80 CRI, 5000K¹

Nominal Lumen Code	Actual Lumens	Wattage	LPW	Input Current
B1	21,281lm	149w	143	0.54A
C1	28,351lm	194w	147	0.70A

Lumen Maintenance²

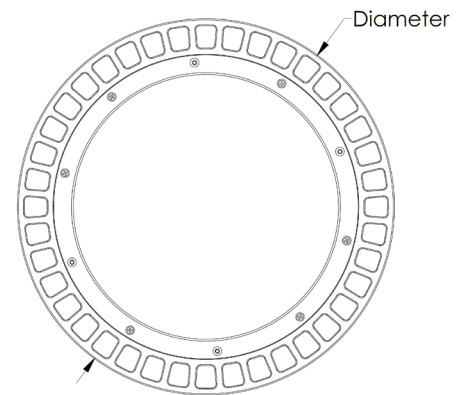
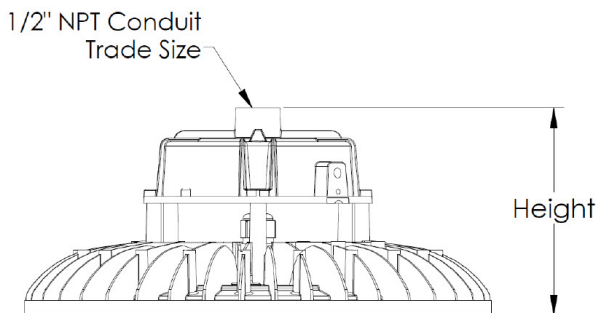
Nominal Lumen Code	Nominal Lumens	Operating Temperature	Calculated Lumen Maintenance		
			L70	L80	L90
B1	21,000	25°C	173,000	109,000	51,000
		50°C	173,000	109,000	51,000
C1	28,000	25°C	173,000	109,000	51,000
		50°C	173,000	109,000	51,000

Ambient Operating Temperatures

Nominal Lumen Code	Standard Operating Range
All Lumen Packages	-20°C to 50°C [-4°F to 122°F]

Physical Information

Nominal Lumen Code	Diameter	Height	Weight ³
B1	11.75"	4.75"	8.80lbs
C1	14.19"	5.93"	11.00lbs



Additional Specification Information

¹Actual performance may vary by up to $\pm 10\%$ of values listed; facility factors and fixture options can affect performance values

²Calculated hours based on TM-21 projections and components used at the time of testing. Warranty is not associated with Calculated Lumen Maintenance

³Weight will vary based on option selection

Ordering Information Example (NOTE: No dashes or spaces unless noted below)

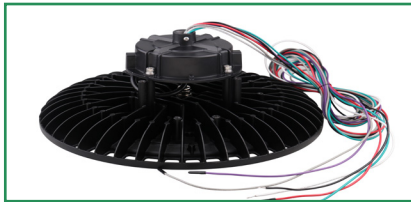
AHHA1B1UNHFD85006BL-SP

Ordering Information (Enter Selected Catalog Number Below)

Series	Nominal Lumen Code ⁴	Voltage	Driver Type	CRI; Color Temp	Power Connection	Fixture Color	Packaging Options
AHHA1= HARRIS LED High Bay Harsh Applications, Gen 1	B1= 21,000lm C1= 28,000lm	UNH= 120-347v	FD= Continuous Dimming (Dims to 10%) 0-10v	850= 80CRI; 5000K	06= 6' Power Supply Wires ^{5*}	BL= Black	-SP= Single Pack

***Note:** Electrical input wires only. Power Supply wires are not chemical or oil resistant. Use Customer supplied metal Conduit or Orion Field Installed Accessory **AHHA-FC-06** to protect wires from oils and solvents.

Fixture Options (Factory Installed)



6' Power Supply Wires 1/2" NPT Conduit Entry⁵ (06)

Accessories (Field Installed)

Mounting Options for B1	
AHHAB1-UB-BL ⁶	U Bracket Mount Kit Surface or Pendant Mount 1/2" Conduit, Black
Mounting Options for C1	
AHHAC1-UB-BL ⁶	U Bracket Mount Kit Surface or Pendant Mount 1/2" Conduit, Black
Mounting Hook for U Bracket B1 and C1	
AHHA-PM-12 ⁷	Hook, Pendant Mount, 1/2" Male For U Bracket with Nut, Black Finish
Power Cable Protection Kit - Oils and Solvents	
AHHA-FC-06	Flexible 1/2" trade size non-metallic Polyamide (PA6) flexible conduit for excellent chemical, fuel, and oil resistance, Polyamide (PA6) 6', Black NOTE: Flexible Conduit must be installed to honor warranty against oils and solvents

Additional Specification Information

⁴ For actual lumens, see performance table

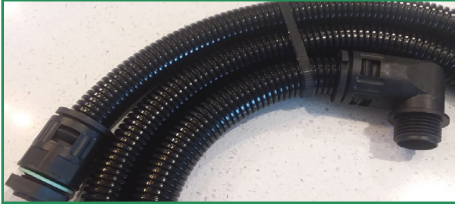
⁵ No SO cord provided. Electrical input wires only. Power Supply wires are not chemical or oil resistant. Use Conduit or **AHHA-FC-06** sold separate to have fixture be up to chemical and oil resistant standards

⁶ The U Bracket mount can be adjusted to 50° angle from vertical

⁷ This hook only to be used with U Bracket kit

AHHA1

Accessories(Field Installed)



1/2" Trade Size Non-Metallic Flexible Conduit, Polyamide (PA6) 6', Black (AHHA-FC-06)



U Bracket Kit Surface or Pendent Mount 1/2" Conduit (AHHAxx-UB-BL)



Mounting Hook 1/2" Thread for U Bracket (AHHA-PM-12)

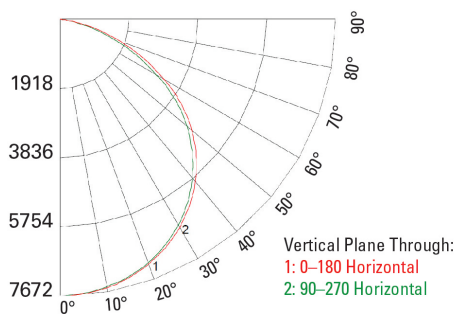
Chemical Resistant Against

- Acetone
- Aluminum chloride, hydrous
- Aluminum sulphate, hydrous
- Ammonium chloride, hydrous
- Ammonium sulphate, hydrous
- Benzene
- Benzole
- Borax, hydrous
- Boric acid, hydrous
- Butonal
- Butylacetate
- Calcium chloride, hydrous
- Carbon disulphide
- Carbon dioxide
- Carbon tetrachloride
- Caustic potash solution, hydrous
- Caustic soda lye, hydrous
- Copper sulphate, hydrous
- Cyclohexanol
- Diesel fuel
- Drilling oil
- Ethanol
- Ethyl ether
- Ethylene oxide, liquid
- Ferrous chloride hydrous, indiff.
- Hydraulic fluid, hardly inflammable
- Hydraulic oil H and HL (DIN 51524)
- Hydrosilicofluoric sulfate, hydrous
- Kerosine
- Lubricating grease, base polyphenylester
- Lubricating grease, base silicone oil
- Mercury
- Methanol
- Mineral oil
- Oil and grease
- Oleic acid
- Potassium chloride, hydrous
- Sea water
- Soap solution, hydrous
- Toluene
- Waste gas containing carbon dioxide
- Was gas containing SO₂
- Xylene

Photometrics

Visit orionlighting.com to obtain all .IES files

B1 850



C1 850

