

## LED Surface Mount Troffer

Instruction Number: P-INT-X-431

Use this instruction to install the LED Surface Mount troffer on an even surface.

### Components

- 1 LSME2 Fixture
- Note: Pan and fixture body ship separate

### Tools Required for Installation

- Cordless drill
- Wire stripper/cutter
- (4) Screws to mount the fixture pan to an even surface
- Strain relief or cable gland for 1/2" knockout

### Step-by-Step Instructions

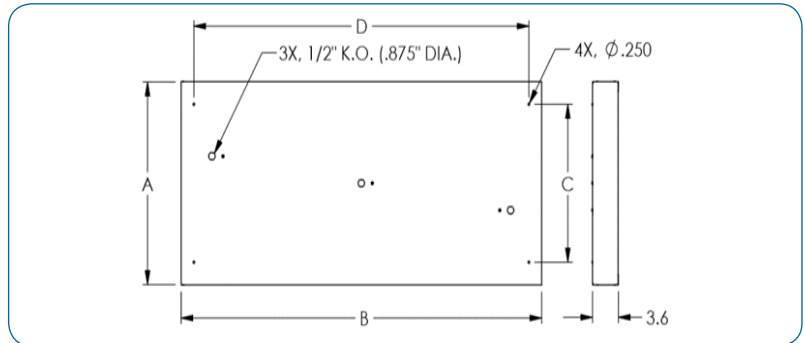


#### WARNING!

Risk of fire or electric shock. To reduce risk of electrical shock, turn off power supply before installation or servicing.

1. Field installers are responsible for recognizing specific site requirements and making adjustments to assure a complete, functional installation.
2. Make all power connections using UL listed components.
3. Electrical connections must be made by a qualified electrician and in accordance with NEC and local codes.
4. All luminaires must be properly grounded.
5. Do not make or alter any open holes in an enclosure of wiring or electrical components. Luminaire wiring and electrical parts may be damaged when drilling for installation. Check enclosed wiring and components.

### Physical Information and Mounting Hole Locations



Physical Information				Mounting Hole Locations	
Fixture Size	Width (A)	Length (B)	Weight (Pan Included)	Distance Apart - Width of Fixture (C)	Distance Apart - Length of Fixture (D)
14 (1' x 4')	11.2"	49.5"	18 lbs.	6.0"	46.0"
22 (2' x 2')	23.2"	25.5"	13 lbs.	22.0"	22.0"
24 (2' x 4')	23.2"	49.5"	25 lbs.	46.0"	46.0"

- 1 Unpack the above listed components.
- 2 Remove one of the three knockouts in the fixture pan. (See Fig. 1 areas circled in red)
- 3 Insert a strain relief or cable gland in the 1/2" knockout opening of the pan. Thread the incoming power supply through the strain relief/cable gland.
- 4 Secure housing to building mounting surface using fasteners (not provided) appropriate for the product weight and building structure. (See Physical Information and Mounting Hole Location table section and Fig. 1 areas circled in green).
- 5 Hang the fixture body by its (2) hinges into the fixture pan. (See Fig. 2)
- 6 Wire the existing ground wire to the supplied ground wires. If no ground wire exists from the existing power supply, add ground wire. Make all electrical connections per NEC and local codes. (See Fig. 3)  
Note: See product label for voltage input and amperage load per fixture.
- 7 Close the fixture body into the fixture pan and secure latches shut. (See Fig. 4)
- 8 Restore power to fixture and test.

