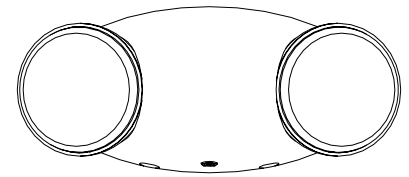


SERIES: ELRUB

GENERAL INSTALLATION GUIDELINES

Mini LED Emergency Fixture



When using electrical equipment, including this emergency exit product, basic safety precautions should be followed at all times, including but not limited to the following:

PLEASE READ CAREFULLY AND FOLLOW ALL INSTRUCTIONS FOR YOUR SAFETY

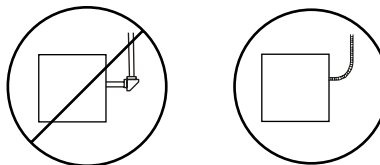
1. Rated for temperature range of 10°C–40°C (50°F-104°F) and suitable for use in an application that is designated as a damp location area as defined by NEC Article 100, Location, Damp. UL listed to UL924 standard, complying with NEC, OSHA, and Life Safety Code.
2. Equipment should be mounted securely in locations and at heights where it will not be readily subjected to tampering by unauthorized personnel.
3. Do not mount near gas or electric heaters.
4. Consult local building code for approved wiring and installation.
5. Disconnect AC power before servicing and installation.
6. This is a dual voltage input unit (120V and 277V). Verify correct input connections as follows: 120V input to black (120V) lead; 277V input to red (277V) lead. Incorrect input connection will void warranty and may cause an unsafe condition.
7. Make sure wire terminations are secure and leads are properly tucked in appropriate wire channels.
8. Cap unused wires with enclosed wire nuts or other approved method.
9. The use of accessory equipment not recommended by the manufacturer will void product listing and warranty and may cause an unsafe condition.
10. Do not use this equipment for anything other than its intended use.
11. Any service on this equipment should be performed by qualified personnel only.
12. Use caution when servicing batteries. Avoid possible shorting.

SAVE THESE INSTRUCTIONS

IMPORTANT: The battery in this unit may not be fully charged. After electricity is connected to unit, let battery charge for at least 24 hours, then normal operation of this unit should take effect. To check, press TEST button. The emergency lamps should illuminate.

The lamps listed herein, when used according to these instructions with this equipment, are in accordance with the requirements of CSA Standard C22.2 NO.141. Install wiring to remote heads in accordance with Section 46 of the Canadian Electrical Code, Part I.

FLEXIBLE CONDUIT ONLY



GENERAL INSTALLATION GUIDELINES FOR Mini LED Emergency Fixture

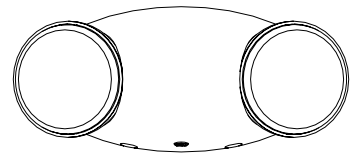


Fig.A (J-Box)

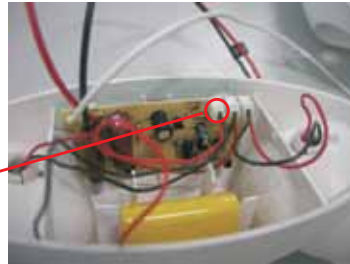
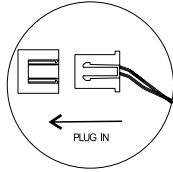


Fig.B



Fig.C

INSTALLATION:

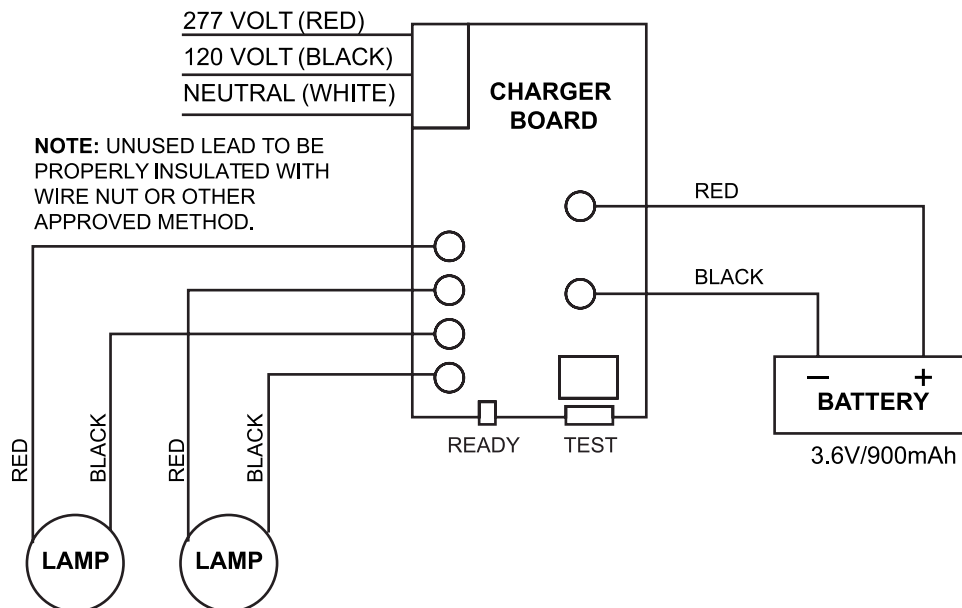
J-BOX MOUNTING:

1. Remove back plate from unit housing.
2. Remove main knockout on back plate.
3. Feed fixture leads through knockout and connect AC power supply (Figure A). Use Black wire for 120V, Red wire for 277V, White wire is common.
4. Mount back plate on J-box and secure with screws.
5. Only after continuous AC power can be provided to unit connect battery (Figure B).
6. Align snaps and push unit directly onto back plate (Figure C). Press Test button to check for proper operation of the unit.

OPERATION:

1. During an electrical power failure, the lamps will automatically come on for a minimum of 90 minutes.
2. To test, depress the TEST switch. The emergency lamps will illuminate. When the switch is released, the lamps will go off.

WIRING DIAGRAM



WARNING: Unused wires must be capped using enclosed wire nuts.

