

Area Light Installation Instructions

Instruction Number: P-INT-X-470

Product Series: ALLP1



WARNING!

Risk of fire or electric shock. To reduce risk of electrical shock, turn off power supply before installation or servicing.

1. Field installers are responsible for recognizing specific site requirements and making adjustment to assure a complete, functional installation.
2. Electrical connections must be made by a qualified electrician and in accordance with NEC and local codes.
3. Make all power connections using UL listed components.
4. Make sure the supply voltage is the same as the rated voltage of the luminaire.
5. Do not install in a hazardous atmosphere.
6. Proper grounding is required to ensure safety.
7. Please wear gloves to avoid injury before installation.
8. Check if there is any damage during shipping. If so, contact manufacturer immediately .
9. Read the installation instruction carefully to check whether all the accessories are included. After confirmation, then install the fixture according to installation steps.
10. Appropriate safety equipment needed during installation, to be determined by installer and per applicable safety standards and precautions.
11. Do not install aiming up past vertical position. Not for uplight application, do not aim upward.

Tools Required for Installation

- Cordless drill
- Philips Screwdriver
- Wire stripper/cutter
- Wire nuts
- Allen Hex Key Size:
 - 6mm for M8 Socket Head Bolt

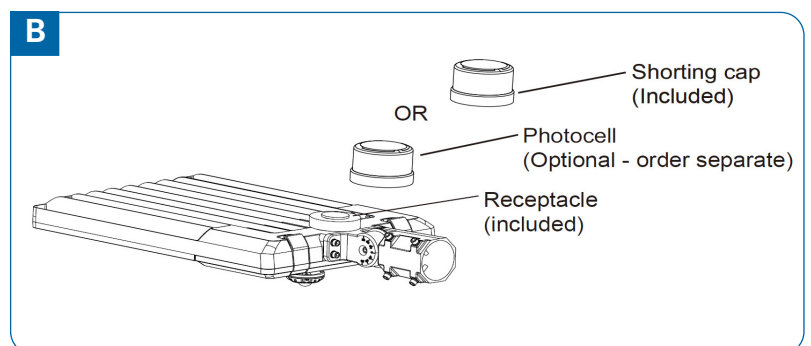
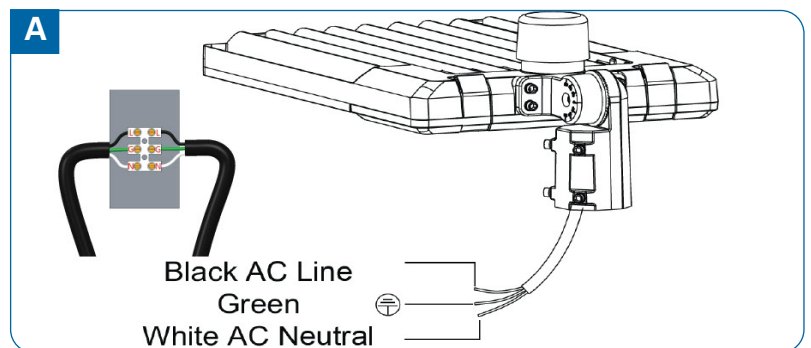
Wiring Instructions

- 1 Turn off power supply before installation. Review product label for voltage and amperage load per fixture.
- 2 Make all electrical connections per NEC and local codes (and reference Fig. A and Fig. B). Cap each dimming wires separately if not used.
- 3 Restore power to fixture.

Twist Lock 3-Pin Photocell

Note: This fixture includes a pre-wired NEMA/ANSI C136.10, 3-pin twist lock photocell receptacle. Shorting cap is provided. Verify photocell matches rated input voltage

- 1 Turn off power supply before installation. Review product label for voltage and amperage load per fixture.
- 2 Make all electrical connections per NEC and local codes (and reference Fig. A and Fig. B). Cap each dimming wires separately if not used.
- 3 Restore power to fixture.



Area Light Installation Instructions

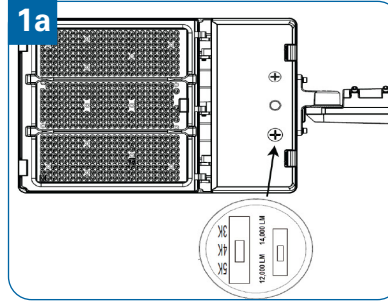
Instruction Number: P-INT-X-470

Product Series: ALLP1

Field Adjustable CCT and Lumen Selection Instructions

Note: All fixtures are set to max lumen output and 5000K at the factory

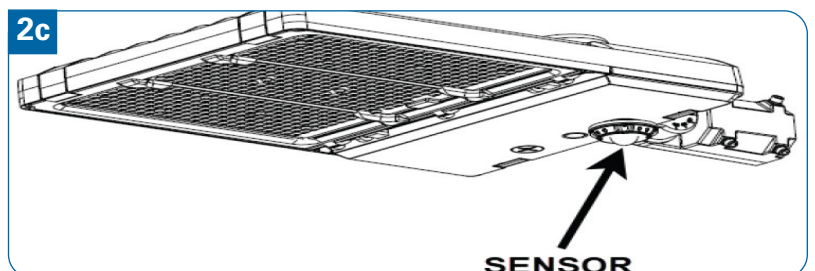
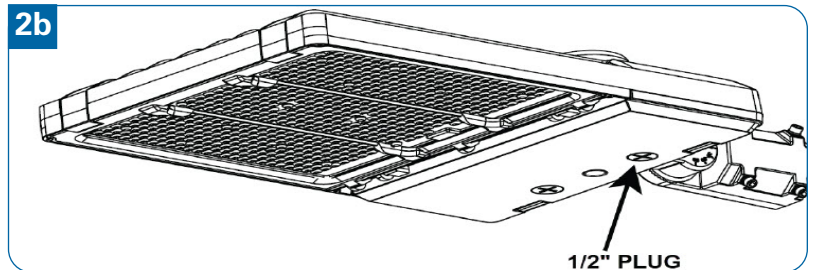
- 1 Turn off power supply.
- 2 Un-screw left plug with a screwdriver.
- 3 Adjust CCT by switching to 3K (3000K), 4K (4000K) or 5K (5000K). (See Fig. 1a)
- 4 Adjust the lumen by switching to desire lumen output. (See Fig. 1a)
- 5 Reinstall the plug and tighten to 18 in-lbs or flush with top surface for proper seal.
- 6 Restore power to fixture



Motion Sensor Instructions

Note: This fixture includes a pre-wired sensor receptacle

- 1 Turn off power supply.
- 2 Take the DC PIR or Microwave sensor out of the package and remove the plastic protection collar from the pins. (See Fig. 2a)
- 3 Un-screw right plug with a screwdriver. (See Fig. 2b)
- 4 Screw the sensor into the mounting hole. (See Fig. 2c)
- 5 Adjust the DC PIR or Microwave sensor settings to get the function needed by using the remote control HB03R, order separately.
- 6 Restore power to fixture.



Sensor Default Settings

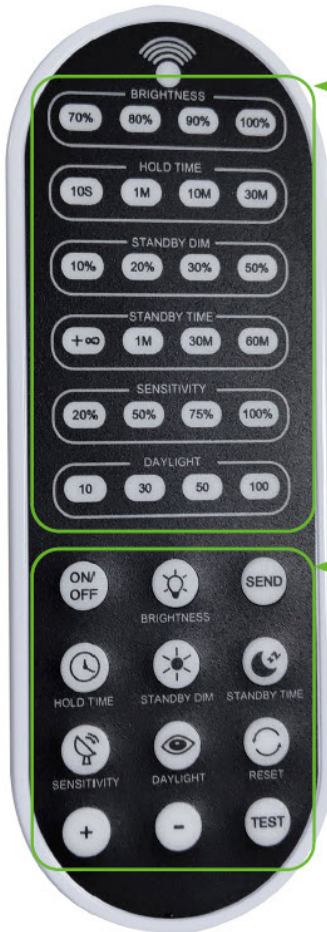
| | |
|--------------------------------|---------|
| Brightness: | 100% |
| Hold Time: | 1 min. |
| Stand-by Dimming Level: | 20% |
| Stand-by time: | 1 min. |
| Sensitivity: | 100% |
| Daylight: | Disable |

Area Light Installation Instructions

Instruction Number: P-INT-X-470

Product Series: ALLP1

HB03R- Sensor Remote Information



Display Area

BRIGHTNESS (70%/80%/90%/100%)
DAYLIGHT (10lx/30lx/50lx/100lx)
STANDBY DIM (10%/20%/30%/50%)

HOLD TIME (10S/1min/10min/30min)
SENSITIVITY (20%/50%/75%/100%)
STANDBY TIME (+∞ /1min/30min/60min)

Button Setting Area

- ON/OFF** (Long press the "ON/OFF" button until the brightness indicator light is on(First row),Press to turn on or turn off the fixture,)
- BRIGHTNESS** (Press to adjust dimming level 70%/80%/90%/100%,)
- SEND** (Press to save settings after each change,The indicator light confirms the save setting,)
- HOLD TIME** (Press to adjust hold time 10s/1min/10min/30min.)
- DAYLIGHT** (Long press the button until the daylight indicator light is on,press to adjust daylight threshold 10lx/30lx/50lx/100lx,)
- SENSITIVITY** (Press to adjust sensitivity 20%/50%/75%/100%.) Note: PIR Motion Sensor have no sensitivity setting,the default 100%.
- STANDBY DIM** (Press to adjust stand-by dimming level 10%/20%/30%/50%.)
- STANDBY TIME** (Press to adjust stand-by time +∞ /1min/30min/60min,)
 Note: "+∞" means unlimited stand-by time,and the light control mode is the light control priority mode, otherwise it's the light threshold mode,
- RESET**
 Press "RESET"button,products with DIP switch will be controlled by DIP switches;Otherwise all the setting will change,which is Brightness 70%/ Hold time 10s/ Sensitivity 20%/ Daylight threshold disable/Stand-by dimming level 10% / Stand-by time+∞.
- TEST**
 The button "TEST" is for testing purpose after debugging,Pressing this button,the sensor goes to test mode(hold time is only 3s).
- Press to increase brightness(0-100%),
- Press to reduce brightness(100%-0%),

Attention

1. If you want to send a setting,it will only work if the remote control is on.If you don't press any button within 10 seconds,the indicator light will go out.
2. When using "ON/OFF"button,the rest buttons except the "ON/OFF","BRIGHTNESS"and"SEND"buttons will be disabled.
3. When using "TEST"button,the rest buttons except the "TEST","SENSITIVITY"and "SEND"buttons will be disabled.
4. Every change needs to press "SEND" button,it will be saved.
5. Because of the power supply DIMMING ratio difference, when using different power, "BRIGHTNESS" and "STANDBY DIM" adjust percentage of the power will have difference with the measured power.
6. Light control priority mode: the on/off illumination values of each gear are 10lx/50lx, 30lx/100lx, 50lx/150lx and 100lx/200lx.
7. Light threshold mode:the on/off illumination values of each gear is 10lx/30lx/50lx/100lx , when the light intensity is less than set value and the movement of someone or an object is induced, the light is turned on to the preset brightness.

Area Light Installation Instructions

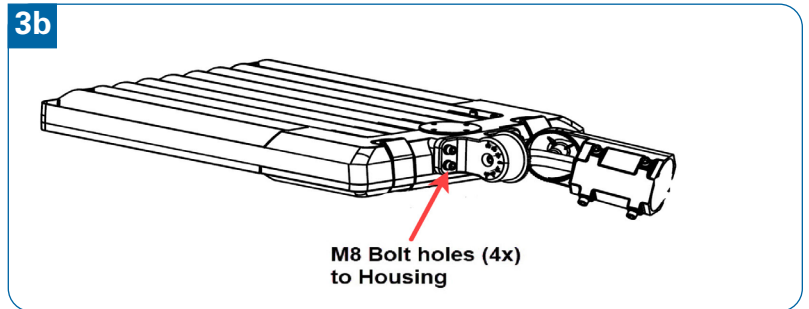
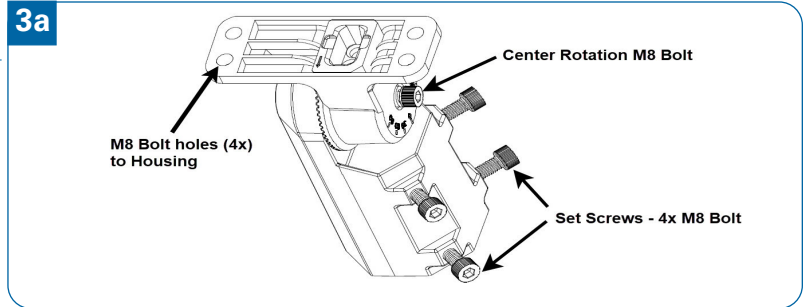
Instruction Number: P-INTX-470

Product Series: ALLP1

Slip Fitter Mount Installation (EXT-ALLP-SFT)

Note: This slip fitter can adapt to 2 3/8" OD tenon. Do not orient aiming upward. Not approved for upright application.

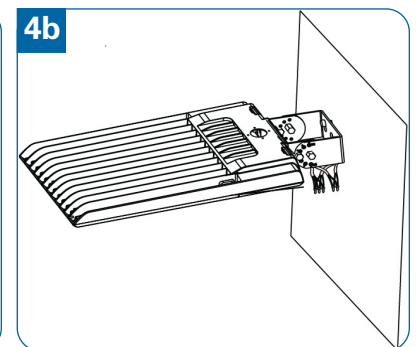
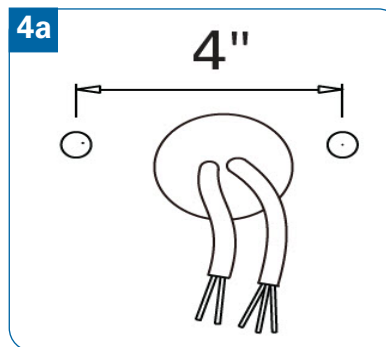
- 1 Disassemble slip fitter bracket by removing center rotation M8 bolt. (See Fig. 3a)
- 2 Assemble slip fitter bracket base onto fixture using the M8 bolts (4 bolts provided). Torque each bolt to 40 in-lb. (See Fig. 3b)
- 3 Route power supply cable inside slip fitter bracket.
- 4 Reassemble slip fitter bracket with M8 bolt from step 1.
- 5 Remove the M8 set screws (4 screws provided).
- 6 Make electrical connections inside the pole per NEC and local codes and reference wiring instructions.
- 7 Route power supply cable inside pole and slide fixture assembly in place.
- 8 Insert the M8 set screws (4x). Ensure set screws are fully tightened. (See Fig. 3a)
- 9 Adjust arm to desired angle and tighten center rotation M8 bolt.



Trunnion Mount Installation (EXT-ALLP-TRN)

Note: This mounting kit can adapt to a min. 6.5" square pole. Do not orient aiming upward. Not approved for upright application.

- 1 Align trunnion bracket to 4 holes on fixture. Tighten bracket in place using the M8 bolts (4 bolts provided). Torque each bolt to 40 in-lb.
- 2 Mark drilling locations on mounting surface and drill the pre-drill mounting holes, 4" apart. (See Fig. 4a)
- 3 Install proper anchor and suitable fasteners for the application in the pre-drilled holes.
- 4 Install fixture onto surface and tighten securely. (See Fig. 4b)
- 5 Loosen angle adjustment set screws. Align to desired position. Tighten set screws.
- 6 Route power supply cable in a junction box and make electrical connections per NEC and local codes and reference wiring instructions.



Area Light Installation Instructions

Instruction Number: P-INT-X-470

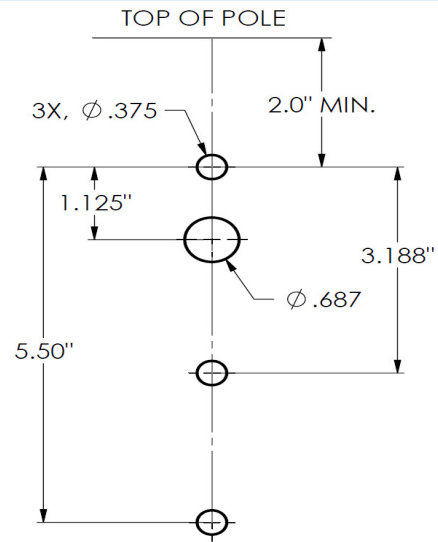
Product Series: ALLP1

Adjustable Pole Mount Installation (EXT-ALLP-ADJ)

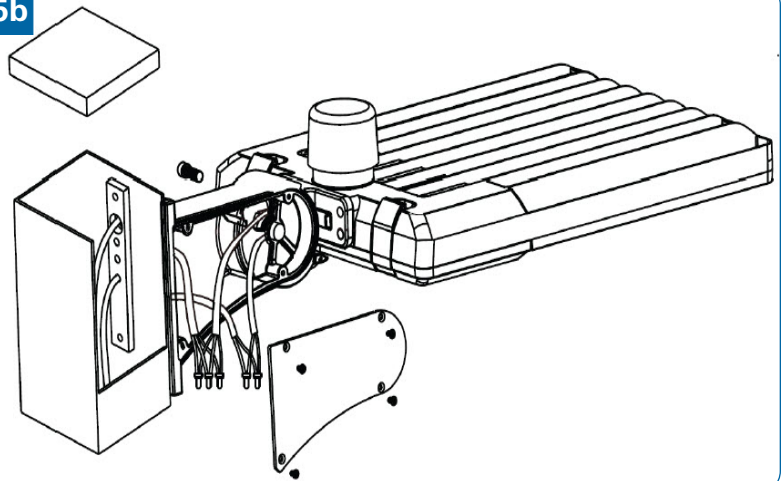
Note: This mounting kit can adapt to 3"-5" round or min. 3" square poles. Do not orient aiming upward. Not approved for uplight application.

- 1 Mark pole drilling locations and pre-drill. (See Fig. 5a)
- 2 Open the wiring access plate on side of adjustable bracket.
- 3 Disassemble adjustable bracket by removing center rotation M8 bolt.
- 4 Assemble adjustable bracket base onto fixture using the M8 bolts (4 bolts provided). Torque each bolt to 40 in-lb. (See Fig. 5b)
- 5 Route fixture power supply cable inside the adjustable bracket.
- 6 Reassemble adjustable bracket with M8 bolt from step 3.
- 7 Place back plate inside the pole. For round pole remove silicone plate. (See Fig. 5c)
- 8 Insert M8 bolts (2 bolts provided) through the bracket and tighten into back plate.
- 9 Route supply wires from inside the pole into the adjustable bracket wiring compartment.
- 10 Make electrical connections inside the pole per NEC and local codes and reference wiring instructions.
- 11 Replace the wiring access plate.
- 12 Adjust arm to desired angle and tighten center rotation M8 bolt.

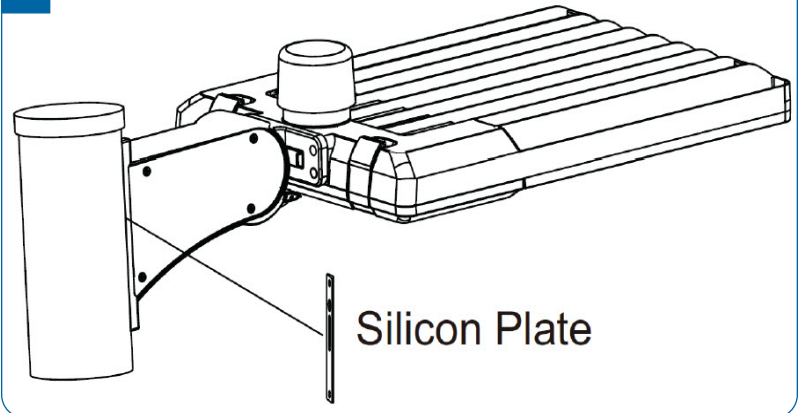
5a



5b



5c



Area Light Installation Instructions

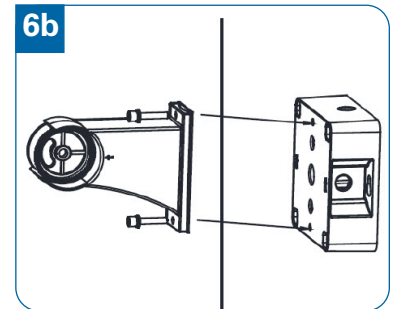
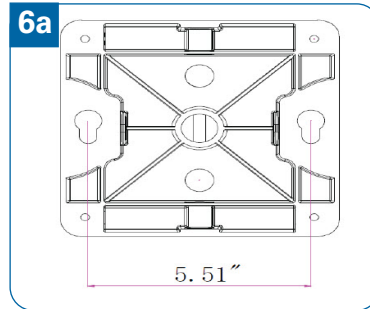
Instruction Number: P-INT-X-470

Product Series: ALLP1

Adjustable Wall Mount Installation (EXT-ALLP-WMA)

Note: Do not orient aiming upward. Not approved for uplight application.

- 1 Loosen the M8 bolts (2 bolts provided) and discard pole plate from adjustable bracket.
- 2 Disassemble adjustable bracket by removing center rotation M8 bolt.
- 3 Assemble adjustable bracket base onto fixture using the M8 bolts (4 bolts provided). Torque each bolt to 40 in-lb.
- 4 Mark mounting surface drilling locations using the wall adapter and pre-drill. (See Fig. 6a)
- 5 Install wall adapter onto mounting surface using proper hardware.
- 6 Open the wiring access plate on side of adjustable bracket.
- 7 Route fixture power supply cable inside the adjustable bracket.
- 8 Reassemble adjustable bracket with M8 bolt from step 2.
- 9 Insert M8 bolts (2) through the bracket and tighten into wall adapter. (See Fig. 6b)
- 10 Route supply wires from inside the wall adapter into the adjustable bracket wiring compartment.
- 11 Make electrical connections inside the pole per NEC and local codes and reference wiring instructions.
- 12 Replace the wiring access plate.
- 13 Adjust arm to desired angle and tighten center rotation M8 bolt.



Area Light Installation Instructions

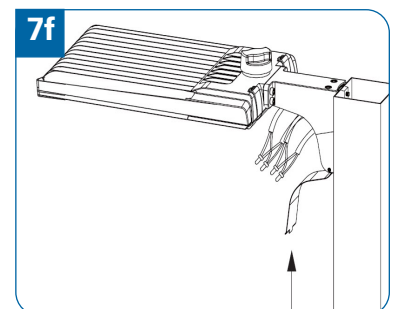
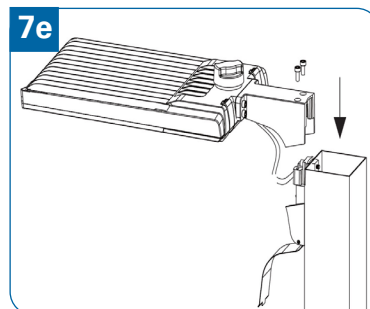
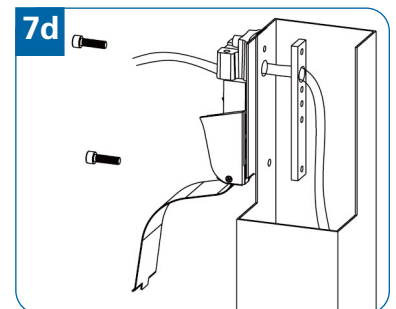
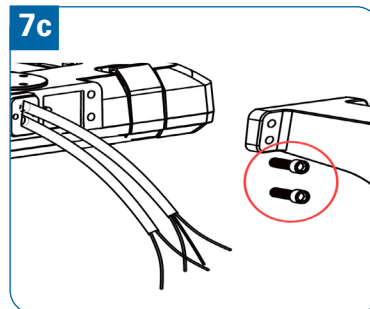
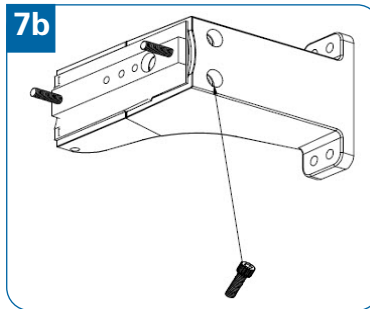
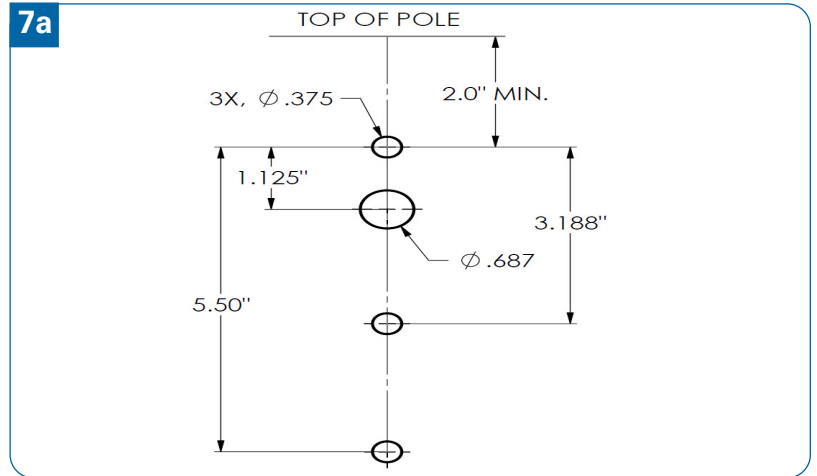
Instruction Number: P-INT-X-470

Product Series: ALLP1

Direct Pole Mount Installation (EXT-ALLP-DPM)

Note: This mounting kit can adapt to 3"-5" round poles or min. 3" square poles.
Do not orient aiming upward. Not approved for uplight application.

- 1 Mark pole drilling locations and pre-drill (See Fig. 7a).
- 2 Disassemble the bracket by removing the two top screws (See Fig. 7b).
- 3 Route fixture power supply cable inside direct pole mount bracket.
- 4 Assemble direct bracket onto fixture using the M8 bolts (4 bolts provided). Torque each bolt to 40 in-lb (See Fig. 7c).
- 5 Place back plate inside the pole. For round pole use adaptor silicone plate (See Fig. 7d).
- 6 Insert M8 bolts (2 bolts provided) through the bracket base and tighten into back plate (See Fig. 7d).
- 7 Slide fixture assembly onto bracket base and tighten the two screws from Step 2 (See Fig. 7e).
- 8 Route supply wires from inside the pole into the Direct bracket wiring compartment (See Fig. 7f).
- 9 Make electrical connections inside the bracket per NEC and local codes and reference wiring instructions.
- 10 Replace the wiring access plate.



Area Light Installation Instructions

Instruction Number: P-INT-X-470.1

Product Series: ALLP1

Lens Replacement

- 1** Remove lens frame screw on back side of fixture (See Fig. 1).
- 2** Unlatch both lens frame latches (See Fig. 2).
- 3** Open lens frame.
- 4** Remove lens carefully. Do not pull or damage gasket.
- 5** Inspect gasket to make sure it is placed inside gasket channel (See Fig. 3).
- 6** Take new Lens and align with lens arrow pointing forward towards the front (See Fig. 4).
- 7** Insert new Lens with tabs inside locating grooves (See Fig. 5).
- 8** Verify that Lens is flush on top of gasket.
- 9** Close lens frame.
- 10** Engage both latches and close all the way.
- 11** Latches should be flush with lens frame surface.
- 12** Optional: Re-install Lens Frame Screw (See Fig. 1).

