

5-Key Battery Powered Wall Switch



FEATURES

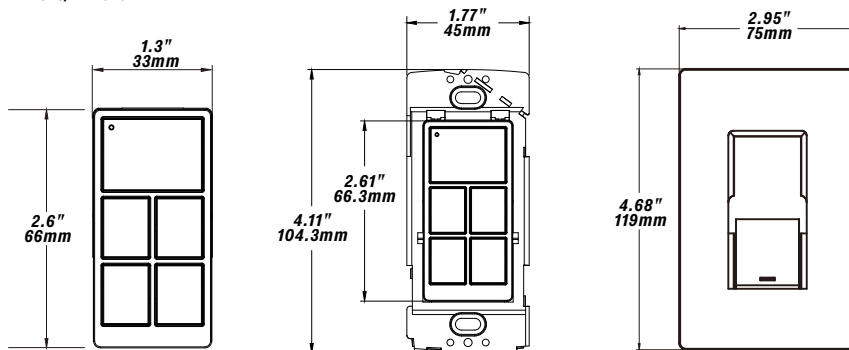
The Keilton WP1025 is a battery powered wall switch which battery can last over 3 years. Part of WP1025 can be used as remote controller on the desk.

- Bluetooth network technology Enables the switch can be linkage to one or more light groups via smart phone App.
- Power by CR2032
- 3 scenes rotation controlled by scene button
- One Key to go back to Auto Setting
- When the power is low, press any key red LED indicator will flash
- Easily retrofit existing wall switches by WP kits

DIMENSION

Unit: inch/mm

WP1025/WP1025.B1



SPECIFICATIONS

Input Voltage: DC 3V

Bluetooth Transmit: 100ft Max

Radio Frequency: 2.4GHz ± 75MHz

Bluetooth Version: 4.2/5.0

Housing Material: UL 94-V0

Indoor Use Only

Operating Temperature: -18°C to 50°C,

-0.4°F to 122°F

Storage Temperature: 0°C to 30°C,

32°F to 86°F

IP Rating: IP20

Color: White

Warranty: 5 years warranty

Comply to UL1376, RoHS

FCC ID: 2A26YLTKTVT2022

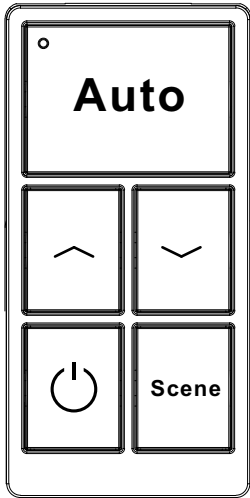
DID: D061367

DLC: NLTRC5KL0TN

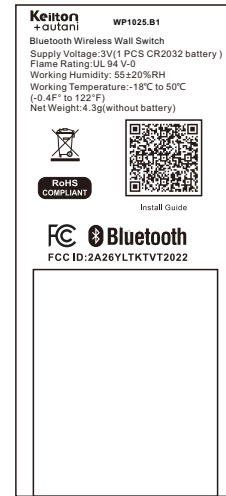
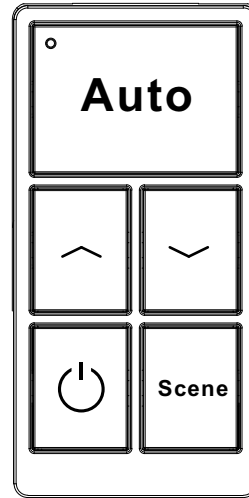
MODEL	DESCRIPTION
WP1025	Bluetooth 4.2 Wireless Wall Switch 5KEYS
WP1025.B1	Bluetooth 5.0 Wireless Wall Switch 5KEYS
WP	Faceplate

MARKING

WP1025



WP1025.B1



The Bluetooth word mark and logos are registered trademarks owned by Bluetooth SIG, Inc. and any use of such marks by Litetrace is under license. Other trademarks and trade names are those of their respective owners.

APP DOWNLOAD

