

3-Key Battery Powered Wall Switch

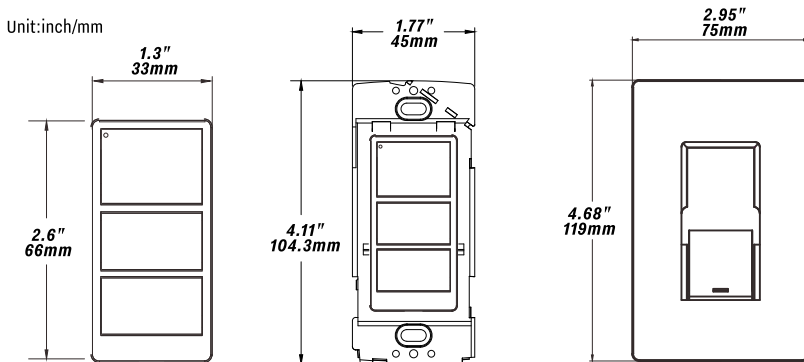


FEATURES

The Keilton WP1013 is a battery powered wall switch which battery can last over 3 years. Part of WP1013 can be used as remote controller on the desk.

- Bluetooth network technology Enables the switch to be linked to a light or a group via smart phone App.
- Powered by CR2032
- When the power is low, press any key red LED indicator will flash
- Easily retrofit existing wall switches by WP kits

DIMENSION



SPECIFICATIONS

Input Voltage: 3V CR2032

Bluetooth Transmit: 100ft Max

Radio Frequency: 2.4GHz ± 75MHz

Bluetooth Version: 5.0

Housing Material: UL 94-V0

Indoor Use Only

Operating Temperature: -18°C to 50°C,

-0.4°F to 122°F

Storage Temperature: 0°C to 30°C,

32°F to 86°F

IP Rating: IP20

Color: White

Warranty: 5 years warranty

Comply to UL1376, RoHS

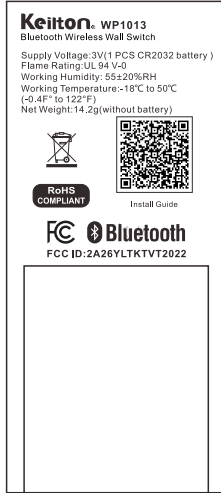
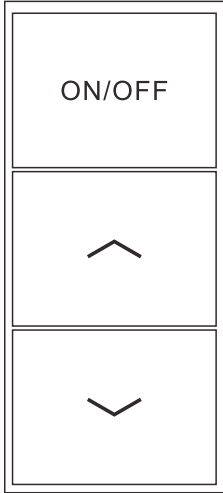
FCC ID: 2A26YLTKTVT2022

DID: D061367

DLC: NLTRC5KL0TN

MODEL	DESCRIPTION
WP1013	Bluetooth Wireless Wall Switch 3 keys
WP	Faceplate

MARKING



The Bluetooth word mark and logos are registered trademarks owned by Bluetooth SIG, Inc. and any use of such marks by Litetrace is under license. Other trademarks and trade names are those of their respective owners.

APP DOWNLOAD

