

20A Plug Load Controller

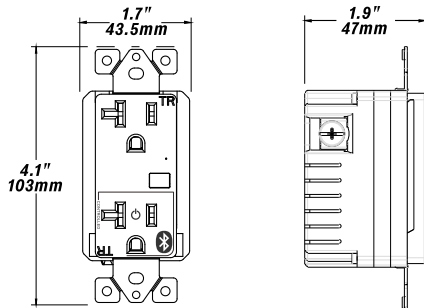


FEATURES

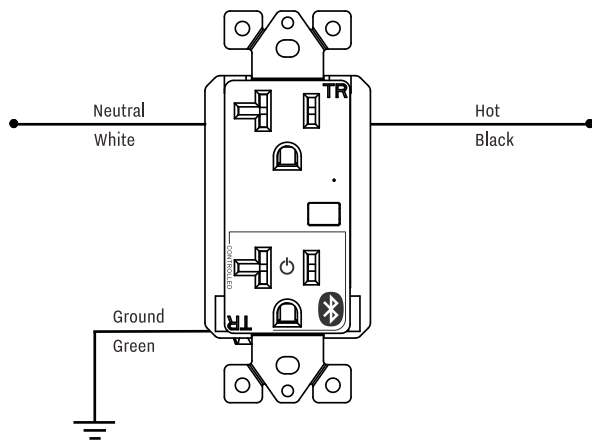
WF20R is a 20A Plug Load Controller with Keilton module inside and can be controlled with Keilton APP, work together with other Keilton products. It is a perfect replacement for regular receptacles. It can be manually turned on/off, controlled by APP, switch, schedule or be grouped and linked with Keilton sensors.

DIMENSION

Unit: inch/mm



WIRING



SPECIFICATIONS

Input Voltage: AC120V

Frequency: 60Hz

Incandescent: 1500W

Standard Ballast: 1200VA

Electronic Ballast: 5A

Resistive: 2400W(20A)

Motor: 1 HP

Bluetooth Transmit: 100ft Max

Radio Frequency: 2.4GHz ± 75MHz

Bluetooth Version: 5.0

Housing Material: UL 94-5VA

Indoor Use Only

Operating Temperature: 0°C to 55°C,
32°F to 131°F

Storage Temperature: -30°C to 85°C,
-22°F to 185°F

IP Rating: IP20

Color: Plate/White, Housing/Black

Warranty: 5 years warranty

Comply to UL244A, UL1376, RoHS

Safety: cULus Listed E347437

Appliance Control

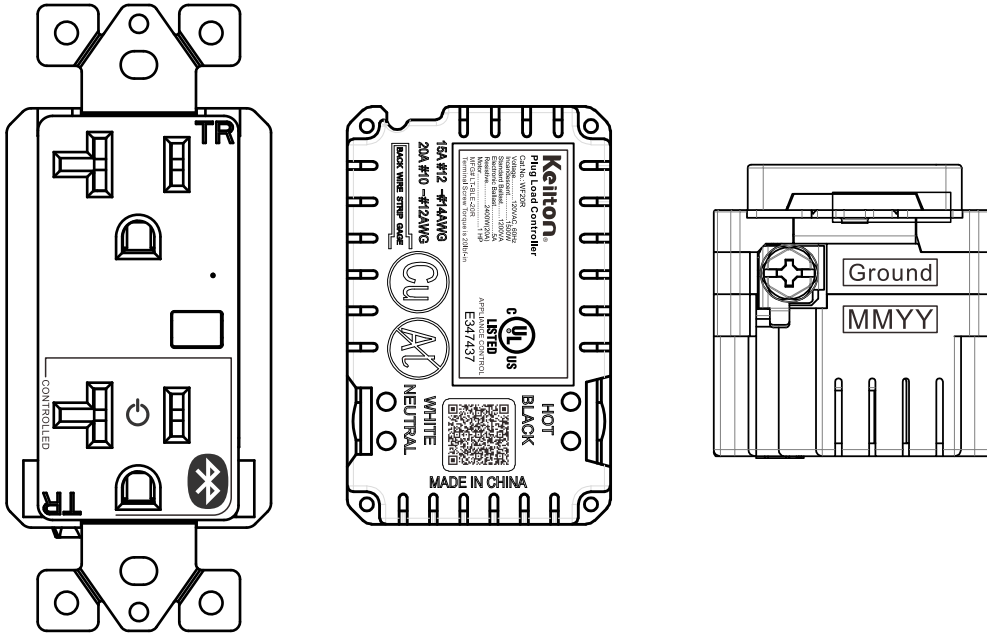
FCC ID: 2A26YLTKTVT2022

DID: D061367

DLC: NLTRC5KL0TN

MODEL	DESCRIPTION
WF20R	Bluetooth Plug Load Controller

MARKING



The Bluetooth word mark and logos are registered trademarks owned by Bluetooth SIG, Inc. and any use of such marks by Litetrace is under license. Other trademarks and trade names are those of their respective owners.

APP DOWNLOAD

