

Daintree® Wireless Controls

WHS100 Wireless High Bay Sensor

Project Name _____

Date _____ Type _____

Catalog Number _____



Product Overview



The WHS100 Wireless High Bay Sensor is part of the Daintree Wireless product portfolio, wireless controls solution for lighting and building control, monitoring, and optimization.

Daintree Wireless controls provide a highly scalable solution to address evolving environmental regulations and transform spaces into intelligent environments for buildings of all sizes.

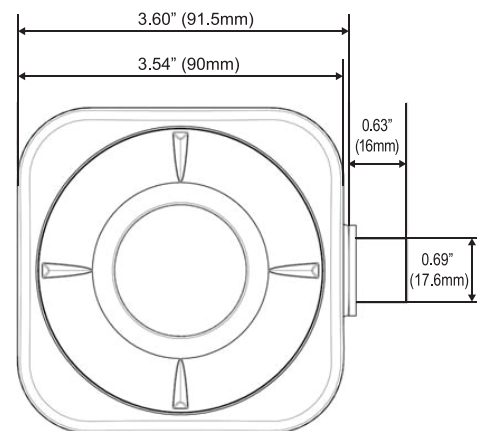
Description

The **Wireless High-Bay Sensor (WHS100)** is a line-powered control/sensor device within the Daintree Networked wireless building control solution. It enables wireless control of individual luminaires and with an integrated motion sensor, provides a one-box solution for cost-effective occupancy based control designed for indoor and outdoor lighting applications.

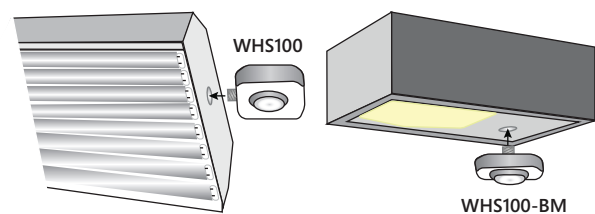
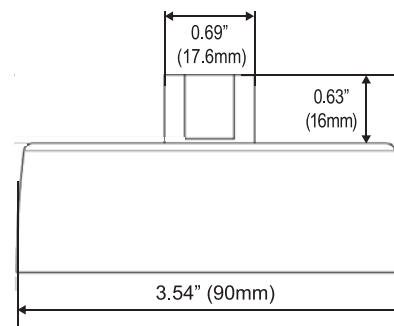
The WHS100 provides ON/OFF and 0-10V dimming control of ballasts and LED drivers. Its familiar form factor provides for simple installation through a standard ½" knockout, making it an extremely versatile solution for a wide range of fixture types including high bay, mid-bay, and low-bay luminaires for industrial and warehouse facilities. With a wide operating temperature range and wet location rating, the WHS100 is well suited for manufacturing, parking and area lighting.

Using open standards ZigBee PRO wireless communications, the WHS100 operates seamlessly with other standard ZigBee PRO wireless products in the Daintree Controls Software ecosystem to provide advanced lighting controls, such as smart scheduling, daylight harvesting, task tuning and more, in addition to occupancy-based control. With built-in metering, the WHS100 can monitor and measure the energy consumption of the controlled lighting load, and also enable automatic fault detection.

WHS100 Side Mount



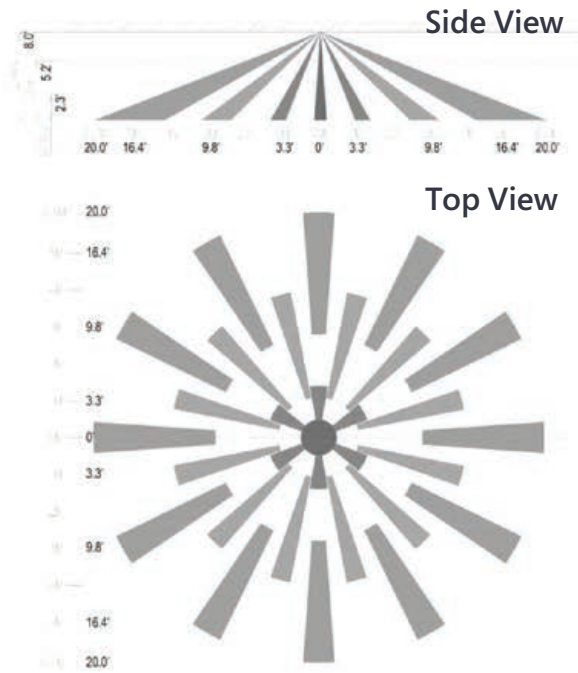
WHS100-BM Base Mount



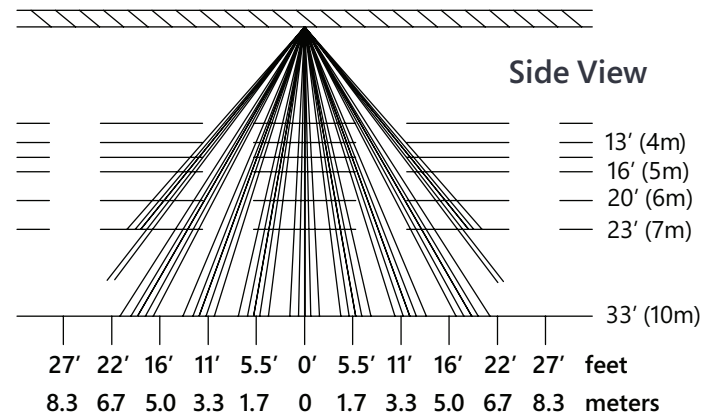
Daintree® Networked | WHS100 Wireless High Bay Sensor

Coverage Pattern

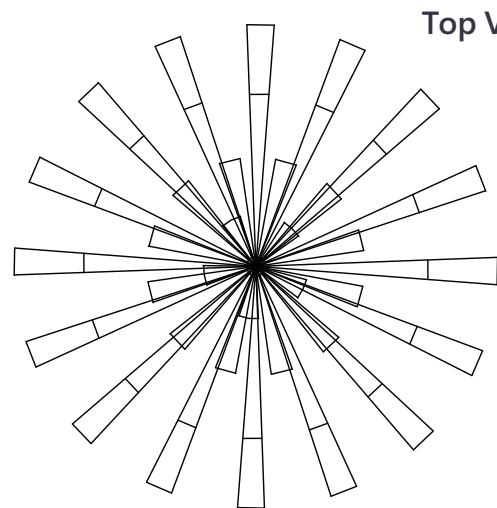
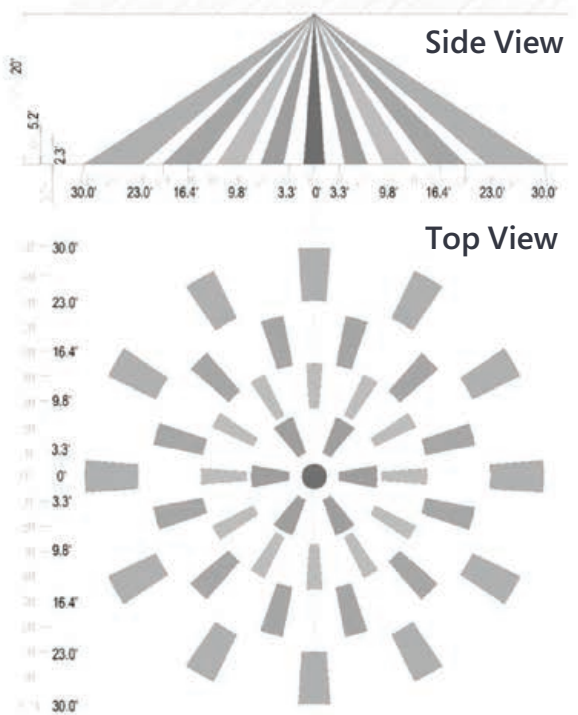
8 foot lens (LOW): 20 foot radius/40 foot diameter



40 foot lens (HIGH): 30 foot radius/60 foot diameter



20 foot lens (MED): 30 foot radius/60 foot diameter



Top View

Side View

- 13' (4m)
- 16' (5m)
- 20' (6m)
- 23' (7m)

Side View

Top View

Daintree® Networked | WHS100 Wireless High Bay Sensor

Warranty

Current offers a limited Warranty across its Daintree Wireless Controls Portfolio. The table below summarizes the Warranty terms. For additional information, please review the Limited Warranty Document on the Daintree Homepage.

Component	Warranty Period	Coverage Details
Daintree Software	1 year (IoT Cloud installed Software) Subscription term (SaaS) 3 years	Current warrants that as long as all applicable fees due are paid, Daintree Software will substantially conform to the applicable published documentation and published specifications for the Warranty Period.
System Controller	3 years	100% parts coverage. Warranty for non-Daintree software (such as operating system software) is provided by the respective software; Current makes no warranty with respect to non-Daintree software.
WACs	5 years	100% parts coverage
Wireless Adapters	5 years	100% parts coverage
Wireless Devices	5 years	100% parts coverage, excluding batteries.
Wireless Thermostats	2 years	100% parts coverage

Connections	Function
HIGH VOLTAGE (AWG14)	
Black	Active
White	Neutral
Red	Switched
LOW VOLTAGE (AWG22)	
Gray	Analog Ground
Violet	0-10V Analog output (dimming)

Specifications

Dimensions (w/mounting)	3.54" L x 3.54" W x 1.78" H 90mm L x 90mm W x 45.4mm H
Operating Environment	-40°F to +158°F (-40°C to +70°C) 5-95% RH, non-condensing Indoor/Outdoor
Enclosure	Raintight, IP66 (White)
Indicators	Green LED (motion detection) Red LED (off for normal operation)
Mounting	Standard ½" knockout mount
Input Power	120-277 VAC 50/60Hz
Power Consumption	0.32W @120/277V (Idle, Relay OFF) 0.58W @120/277V (Relay ON)
Power Measurement	Within 2% accuracy (0.04~5A range) Sampled every 150 sec Aggregated to 60 min intervals
Load Rating	5A @ 120-277 VAC
Load Types	General Use, Electronic Ballast
Ballast/Driver Control	On/Off 0-10V Dimming
Dimming Output	0-10V; 15mA (max sink)
Motion Sensor	PIR technology
Sensor Lens and Mounting Height	Interchangeable sensor lens 360° lenses included (8ft, 20ft, 40ft) Mask included (suitable for all lenses)
Wireless Technology	ZigBee PRO (HA,BA)
Radio Properties	2.4 GHz, +8dBm transmit power
Compliance	UL listed, FCC Part 15
Warranty	5 Years

Ordering Information

SKU	Product Description
WHS100	Wireless High-Bay Sensor, Side Mount
WHS100-BM	Wireless High-Bay Sensor, Base Mount

