

LSAR1

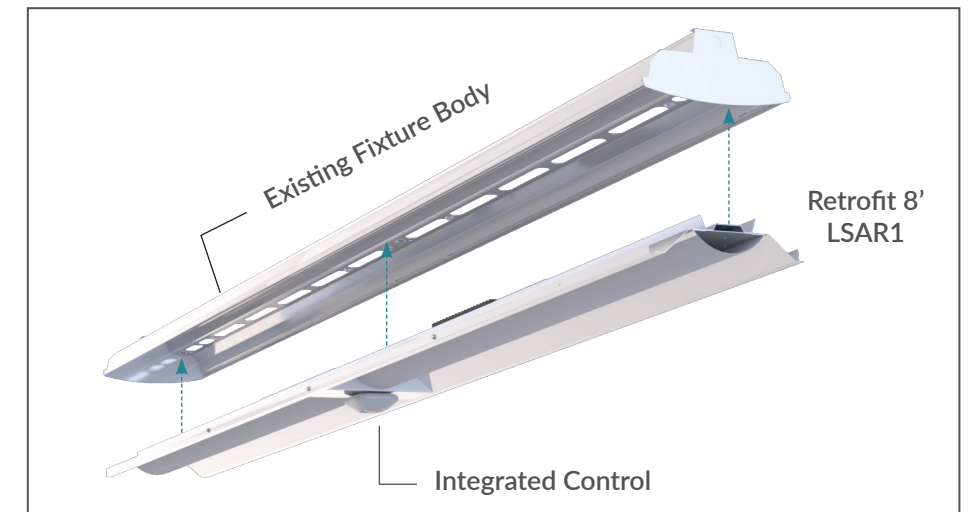
ISON™ LED STREAMLINE LINEAR RETROFIT, GEN1



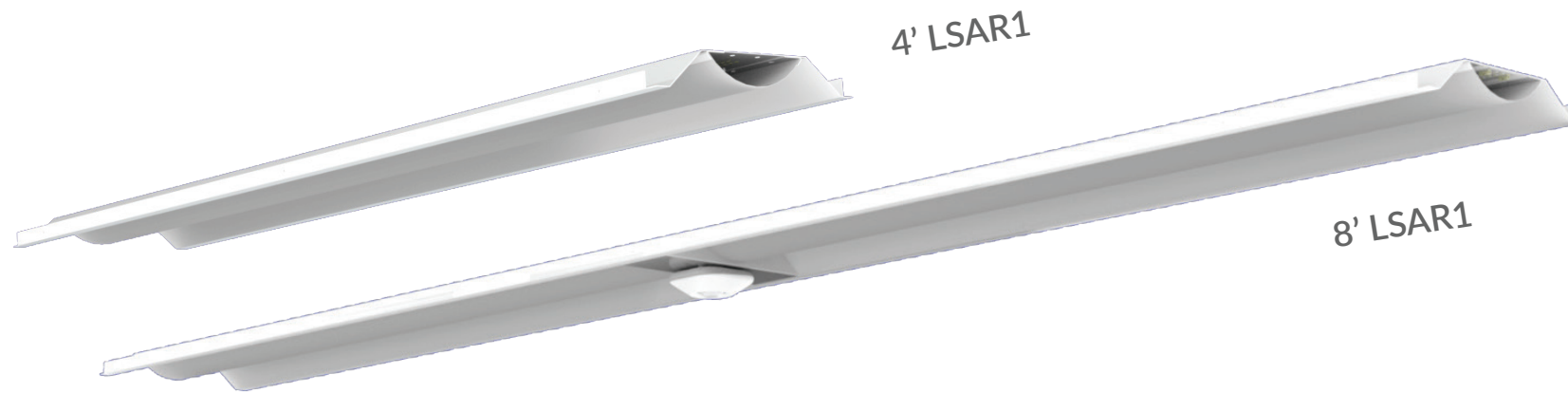
1 3x LIFE
LSAR L70 rating of 172,000 hours is a minimum of 3x as long as the typical LED tube retrofit alternative while providing controllability, more energy savings, and a new look.

2 PREMIUM AESTHETICS
LSAR provides complete coverage to bottom of existing housing. Unibody design and curved lens provide updated look for end user's facility while utilizing existing housing for retrofit.

8' LSAR1 WITH INTEGRATED CONTROL



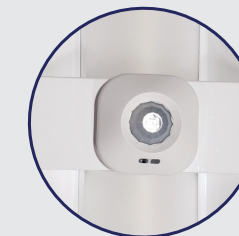
3 EASE OF INSTALLATION
Retrofit kit installs over existing fluorescent fixture housing. Hanging cables assist during electrical connection wiring. LSAR1 ships as a fully assembled retrofit unit in 4' and 8' increments.



5 EFFICIENT & DURABLE PREMIUM COMPONENTS
Major brand electronic components utilized from companies with brand and quality integrity. Energy efficient up to 173 lumens per watt.

4 JOBSITE FRIENDLY PACKAGING
Standard packaging offered is bulk packaging which is designed for ease of handling on the jobsite and it also reduces waste when compared to single-pack option.

CONTROL DEVICE READY
LSAR1 8' Factory Installed Control available with IoT capabilities.



Integrated Control

Available in lumen packages 9,000 lumens in 4 ft and 18,000 lumens in 8 ft. 120v-277v, 347v, 480v
*LED rated life based on LSAR18D1UNVFDXXLFA840 L70 @ 25C ambient vs. Orion's TLEDB5 retrofit LED tubes.

