

## 4' and 8' LED Streamline High Bay Fluorescent Retrofit, Gen 1

Instruction Number: P-INT-X-413-L

### Fixtures for Retrofit: Lithonia Fluorescent Linear

**WARNING!** - Risk of fire or electric shock. Luminaire wiring and electrical parts may be damaged when drilling for installation of LED retrofit kit. Check for enclosed wiring and components.

**WARNING!** - Risk of fire or electric shock. LED Retrofit Kit installation requires knowledge of luminaires electrical systems. If not qualified, do not attempt installation. Contact a qualified electrician.

**WARNING!** - Risk of fire or electric shock. Install this kit only in the luminaires that have the construction features and dimensions shown in the photographs and/or drawings and where the input rating of the retrofit kit does not exceed the input rating of the luminaire.

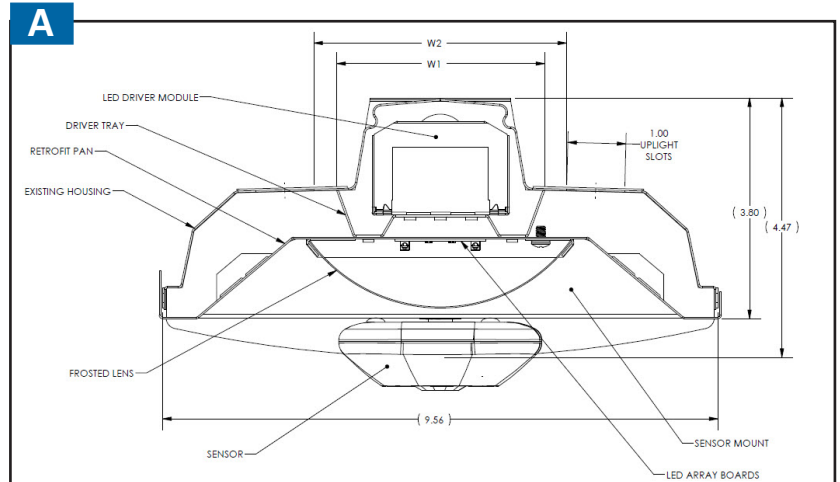
**WARNING!** - To prevent wiring damage or abrasion, do not expose wiring to edges of sheet metal or other sharp objects.

**WARNING!** - Do not make or alter any open holes in an enclosure of wiring or electrical components during kit installation.

**CAUTION!** - Risk of fire. Consult a qualified electrician to ensure correct branch circuit conductor. "THIS PRODUCT MUST BE INSTALLED IN ACCORDANCE WITH THE APPLICABLE INSTALLATION CODE BY A PERSON FAMILIAR WITH THE CONSTRUCTION AND OPERATION OF THE PRODUCT AND THE HAZARDS INVOLVED." "THE RETROFIT ASSEMBLY IS ACCEPTED AS A COMPONENT OF A LUMINAIRE WHERE THE SUITABILITY OF THE COMBINATION SHALL BE DETERMINED BY UL OR AUTHORITIES HAVING JURISDICTION" "LUMINAIRE HOUSING BEING RETROFITTED MUST BE METAL IN ORDER TO PROVIDE APPROPRIATE PATH FOR BONDING"

Only those open holes indicated in the photographs and/or drawings may be made or altered as a result of kit installation. Do not leave any other open holes in an enclosure of wiring or electrical components.

Use this instruction to install the LED Streamline High Bay retrofit kit into an existing fluorescent High Bay fixture. This kit is intended to retrofit 4 ft. and 8 ft. suspended or surface mounted High Bay luminaires with or without a diffuser or lens. The retrofit kit is only intended to retrofit High Bays where the width of the driver tray (W1) is less than the width where the upright openings are located (W2). (See Img. A for Orion Retrofit Assembly components)



### Components for 4' Model

- 1 4' Retrofit Assembly
- 2 (2) Cable Lanyards for Hanging
- 3 (6) #8 TEK Screws

### Components for 8' Model

- 1 8' Retrofit Assembly
- 2 (2) Cable Lanyards for Hanging
- 3 (10) #8 TEK Screws

### Tools Required for Installation

- Screwdriver
- Cordless Drill
- Wire cutter/stripper

### Step-by-Step Instructions (8' Model Shown)

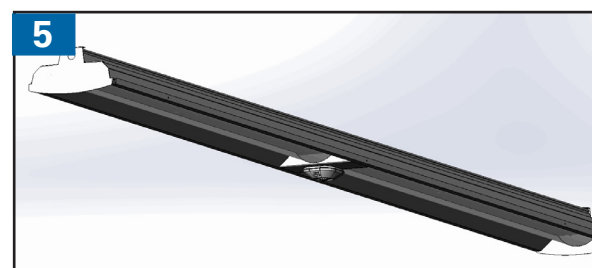
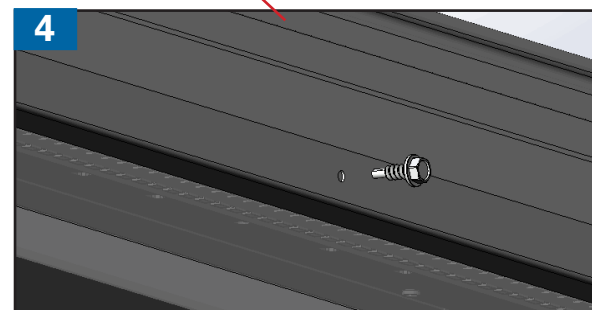
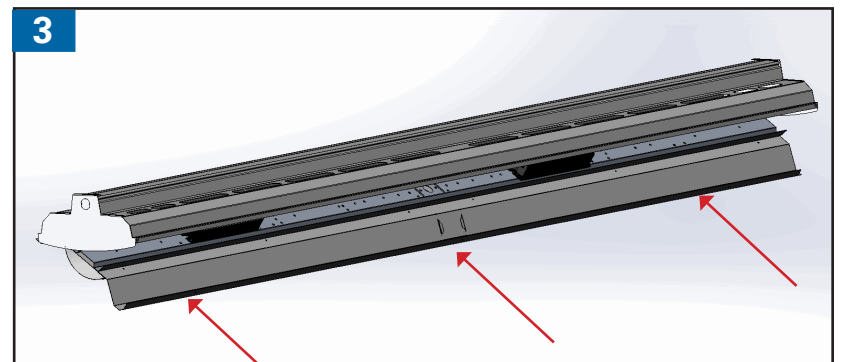
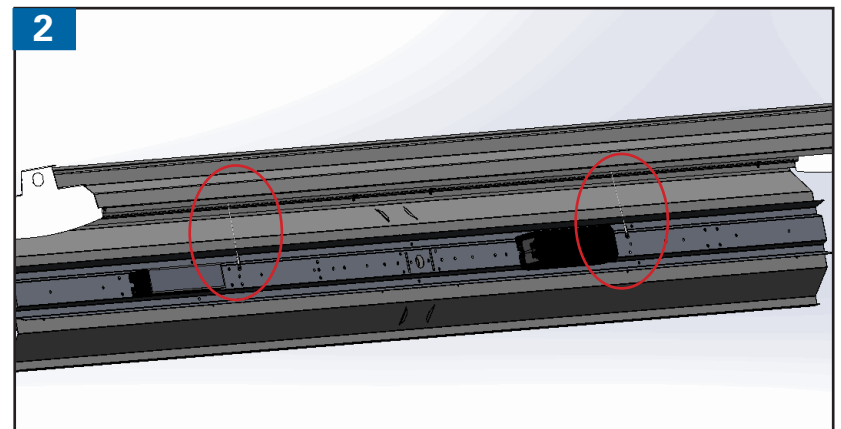
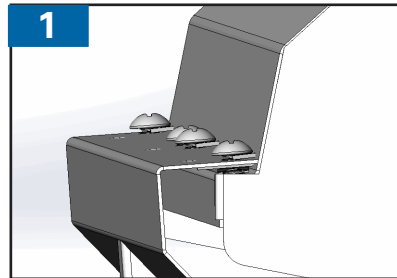
- 1 Unpack all components listed above.
- 2 Remove the existing louvers by opening the locking latches found on one side of the existing fixture and discard.  
NOTE: It may be necessary to use a screwdriver to move the latches to the unlocked position.
- 3 Remove the existing fluorescent light tubes and dispose of them according to Federal, State and local ordinances.
- 4 Remove and discard the existing reflectors. There are four hex/slot sheet metal screws holding each of the two reflectors to the existing housing.
- 5 Remove the two wiring and ballast covers and discard.
- 6 Disconnect the incoming power connections to the existing internal components.
- 7 Remove the four existing lamp holder brackets by using a screw driver to lift the tab attaching the bracket to the housing.
- 8 Remove all ballasts and properly discard them all with the wires and brackets attached to them.

## 4' and 8' LED Streamline High Bay Fluorescent Retrofit, Gen 1

Instruction Number: P-INT-X-413-L

### Fixtures for Retrofit: Lithonia Fluorescent Linear

- 9 Hang one side of the retrofit assembly to the existing housing by inserting it into the flange edge. Each screw should fit into the hinge slots of the discarded louvers. (See Fig. 1 and Fig. 2 for one side of the retrofit unit attached)
- 10 Attach one end of the (2) provided cable lanyards to the existing fixture housing with (2) of the TEK screws (use existing housing holes). After the cable lanyards are secured to the fixture housing, attach the retrofit unit assembly with the additional (2) TEK screws so the fixture is ready for electrical wiring (See Fig. 2 for cable lanyard locations circled in red).
- 11 Make electrical connections per NEC and local codes.
- 12 Swing the retrofit assembly shut by pulling the edge of the retrofit flange over the edge of the housing. (See Fig. 3 of fixture being closed)
- 13 After the retrofit unit is fully closed, drill TEK screws through the predrilled factory holes in the retrofit unit and fixture housing to secure shut. (See Fig. 4 for screw installation and Fig. 5 for completed assembly)
- 14 Restore power to fixture and test.



## 4' and 8' LED Streamline High Bay Fluorescent Retrofit, Gen 1

Instruction Number: P-INT-X-413-E

### Fixtures for Retrofit: Cooper/Eaton Fluorescent Linear

**WARNING!** - Risk of fire or electric shock. Luminaire wiring and electrical parts may be damaged when drilling for installation of LED retrofit kit. Check for enclosed wiring and components.

**WARNING!** - Risk of fire or electric shock. LED Retrofit Kit installation requires knowledge of luminaires electrical systems. If not qualified, do not attempt installation. Contact a qualified electrician.

**WARNING!** - Risk of fire or electric shock. Install this kit only in the luminaires that have the construction features and dimensions shown in the photographs and/or drawings and where the input rating of the retrofit kit does not exceed the input rating of the luminaire.

**WARNING!** - To prevent wiring damage or abrasion, do not expose wiring to edges of sheet metal or other sharp objects.

**WARNING!** - Do not make or alter any open holes in an enclosure of wiring or electrical components during kit installation.

**CAUTION!** - Risk of fire. Consult a qualified electrician to ensure correct branch circuit conductor. "THIS PRODUCT MUST BE INSTALLED IN ACCORDANCE WITH THE APPLICABLE INSTALLATION CODE BY A PERSON FAMILIAR WITH THE CONSTRUCTION AND OPERATION OF THE PRODUCT AND THE HAZARDS INVOLVED." "THE RETROFIT ASSEMBLY IS ACCEPTED AS A COMPONENT OF A LUMINAIRE WHERE THE SUITABILITY OF THE COMBINATION SHALL BE DETERMINED BY UL OR AUTHORITIES HAVING JURISDICTION" "LUMINAIRE HOUSING BEING RETROFITTED MUST BE METAL IN ORDER TO PROVIDE APPROPRIATE PATH FOR BONDING"

Only those open holes indicated in the photographs and/or drawings may be made or altered as a result of kit installation. Do not leave any other open holes in an enclosure of wiring or electrical components.

Use this instruction to install the LED Streamline High Bay retrofit kit into an existing fluorescent High Bay fixture. This kit is intended to retrofit 4 ft. and 8 ft. suspended or surface mounted High Bay luminaires with or without a diffuser or lens. The retrofit kit is only intended to retrofit High Bays where the width of the driver tray (W1) is less than the width where the upright openings are located (W2). (See Img. A for Orion Retrofit Assembly components)

### Components for 4' Model

- 1 4' Retrofit Assembly
- 2 Hardware Kit Includes: 2 Cable Lanyards and 4 Screws

### Components for 8' Model

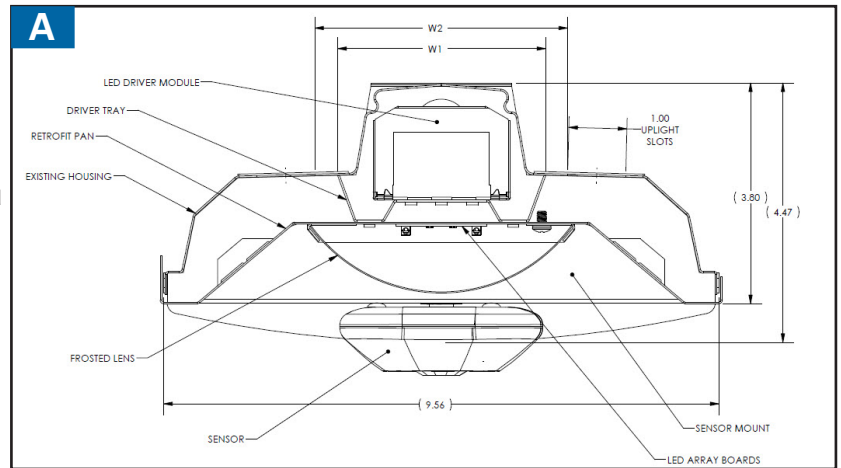
- 1 8' Retrofit Assembly
- 2 Hardware Kit Includes: 2 Cable Lanyards and 4 Screws

### Tools Required for Installation

- Screwdriver
- Cordless Drill
- Wire cutter/stripper

### Step-by-Step Instructions (8' Model Shown)

- 1 Unpack all components listed above.
- 2 Remove the existing louvers by opening the locking latches found on one side of the existing fixture and discard.  
NOTE: It may be necessary to use a screwdriver to move the latches to the unlocked position.
- 3 Remove the existing fluorescent light tubes and dispose of them according to Federal, State and local ordinances.
- 4 Remove and discard the existing reflectors. There are four hex/slot sheet metal screws holding each of the two reflectors to the existing housing.
- 5 Remove the two wiring and ballast covers and discard.
- 6 Disconnect the incoming power connections to the existing internal components.
- 7 Remove the four existing lamp holder brackets by using a screw driver to remove the two screws attaching the bracket to the housing.
- 8 Remove all ballasts and properly discard them all with the wires and brackets attached to them.

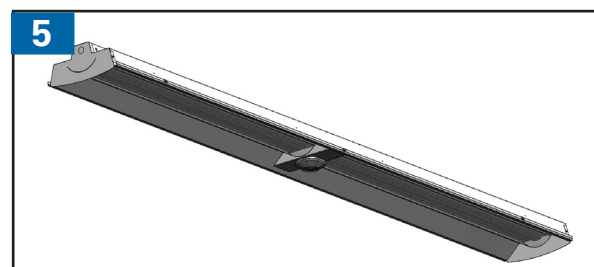
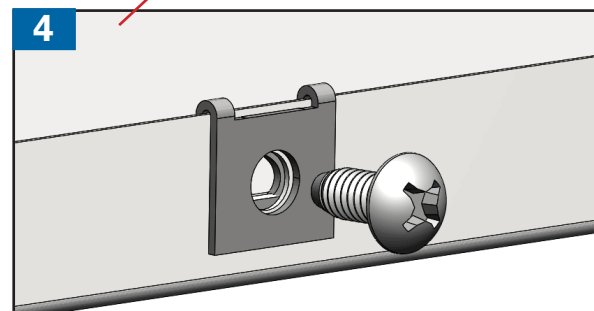
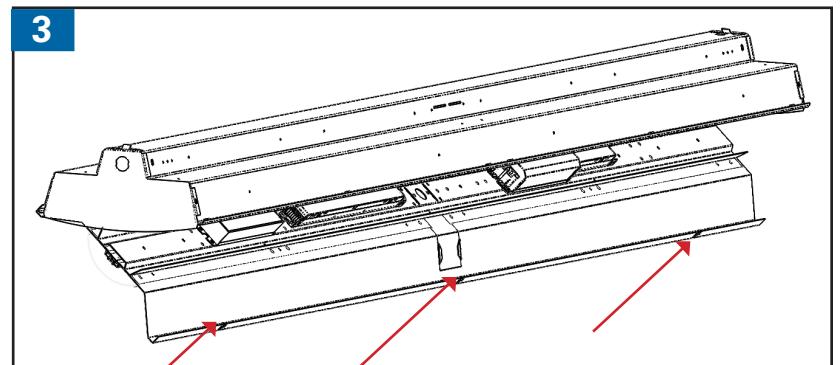
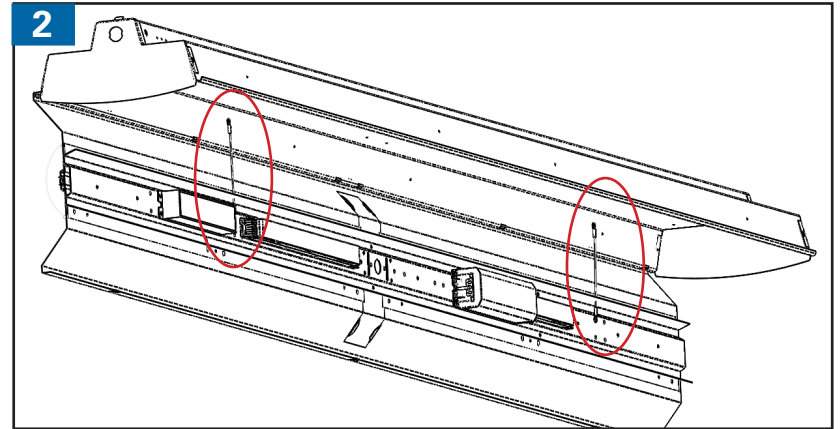
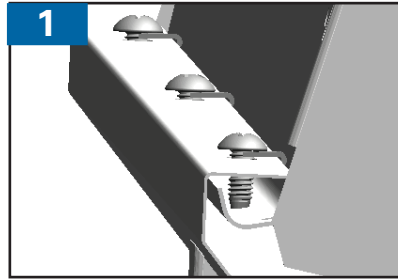


## 4' and 8' LED Streamline High Bay Fluorescent Retrofit, Gen 1

Instruction Number: P-INT-X-413-E

### Fixtures for Retrofit: Cooper/Eaton Fluorescent Linear

- 9 Hang one side of the retrofit assembly to the existing housing using the assembly side that has the factory installed screws and edge clips by inserting it into the flange edge (See Fig. 1 and Fig. 2 for one side of the retrofit unit attached).
- 10 Attach one end of the (2) provided cable lanyards to the existing fixture housing with (2) of the TEK screws (use existing housing holes). After the cable lanyards are secured to the fixture housing, attach the retrofit unit assembly with the additional (2) TEK screws so the fixture is ready for electrical wiring. (See Fig. 2 for cable lanyard locations circled in red)
- 11 Make electrical connections per NEC and local codes.
- 12 Swing the retrofit assembly shut so it is flush with the existing housing. (See Fig. 3 of fixture being closed) On the opposite side, remove the (3) screws from the edge clips that are attached to the retrofit unit. After the retrofit unit is fully closed, reinsert the screws into the edge clips to secure to the housing. Make sure the screws insert over the existing housing flange edge. (See Fig. 4 for the edge clip and screw installation and Fig. 5 for completed assembly)
- 13 Restore power to fixture and test.



## 4' and 8' LED Streamline High Bay Fluorescent Retrofit, Gen 1

Instruction Number: P-INT-X-413-A

### Fixtures for Retrofit: Austin Fluorescent Linear

**WARNING!** - Risk of fire or electric shock. Luminaire wiring and electrical parts may be damaged when drilling for installation of LED retrofit kit. Check for enclosed wiring and components.

**WARNING!** - Risk of fire or electric shock. LED Retrofit Kit installation requires knowledge of luminaires electrical systems. If not qualified, do not attempt installation. Contact a qualified electrician.

**WARNING!** - Risk of fire or electric shock. Install this kit only in the luminaires that have the construction features and dimensions shown in the photographs and/or drawings and where the input rating of the retrofit kit does not exceed the input rating of the luminaire.

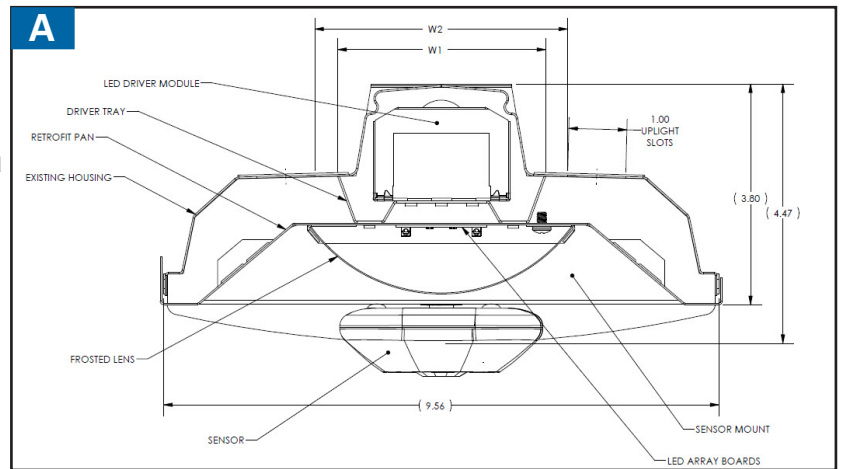
**WARNING!** - To prevent wiring damage or abrasion, do not expose wiring to edges of sheet metal or other sharp objects.

**WARNING!** - Do not make or alter any open holes in an enclosure of wiring or electrical components during kit installation.

**CAUTION!** - Risk of fire. Consult a qualified electrician to ensure correct branch circuit conductor. "THIS PRODUCT MUST BE INSTALLED IN ACCORDANCE WITH THE APPLICABLE INSTALLATION CODE BY A PERSON FAMILIAR WITH THE CONSTRUCTION AND OPERATION OF THE PRODUCT AND THE HAZARDS INVOLVED." "THE RETROFIT ASSEMBLY IS ACCEPTED AS A COMPONENT OF A LUMINAIRE WHERE THE SUITABILITY OF THE COMBINATION SHALL BE DETERMINED BY UL OR AUTHORITIES HAVING JURISDICTION" "LUMINAIRE HOUSING BEING RETROFITTED MUST BE METAL IN ORDER TO PROVIDE APPROPRIATE PATH FOR BONDING"

Only those open holes indicated in the photographs and/or drawings may be made or altered as a result of kit installation. Do not leave any other open holes in an enclosure of wiring or electrical components.

Use this instruction to install the LED Streamline High Bay retrofit kit into an existing fluorescent High Bay fixture. This kit is intended to retrofit 4 ft. and 8 ft. suspended or surface mounted High Bay luminaires with or without a diffuser or lens. The retrofit kit is only intended to retrofit High Bays where the width of the driver tray (W1) is less than the width where the upright openings are located (W2). (See Img. A for Orion Retrofit Assembly components)



### Components for 4' Model

- 1 4' Retrofit Assembly
- 2 (4) #8 TEK Screws
- 3 (4) White Screws
- 4 (2) Cable Lanyards

### Components for 8' Model

- 1 8' Retrofit Assembly
- 2 (4) #8 TEK Screws
- 3 (6) White Screws
- 4 (2) Cable Lanyards

### Tools Required for Installation

- Cordless Drill
- Wire cutter/stripper

### Step-by-Step Instructions (8' Model Shown)

- 1 Unpack all components listed above.
- 2 Remove the existing louvers. Each louver is held in place by wire springs on one side while resting on both bottom flanges of the existing fixture housing. The non-sprung side of the louver will clear the bottom flange. Pull it down and remove each louver and discard.
- 3 Remove the existing fluorescent light tubes and dispose of them according to Federal, State and local ordinances.
- 4 Remove and discard the existing reflectors.
- 5 Remove any wiring and ballast covers and discard.
- 6 Disconnect the incoming power connections to the existing internal components.
- 7 Remove the four existing lamp holder brackets.
- 8 Remove all ballasts and properly discard them all with the wires and brackets attached to them.

## 4' and 8' LED Streamline High Bay Fluorescent Retrofit, Gen 1

Instruction Number: P-INT-X-413-A

### Fixtures for Retrofit: Austin Fluorescent Linear

- 9** Attach one end of the (2) provided cable lanyards to the existing fixture housing with (2) of the TEK screws (use existing housing holes). After the cable lanyards are secured to the fixture housing, attach the retrofit unit assembly with the additional (2) TEK screws so the fixture is ready for electrical wiring (See Fig. 1 cable lanyard locations circled in red).
- 10** Make electrical connections per NEC and local codes.
- 11** Lift the retrofit unit assembly into the existing fixture housing until the retrofit assembly unit is seated. Hold in place. (See Fig. 2)
- 12** On the flat flange side of the retrofit, near the center of the fixture, insert the white screws through the guide holes in the retrofit assembly unit to secure to the housing (See Fig. 2 for fastener locations, Fig. 3 for screw installation and Fig. 4 for completed assembly).
- 13** Restore power to fixture and test.

