

DDLED2

Applications

The HARRIS DDLED2 is ideal for site lighting in applications including rural, commercial, retail, residential driveways, and parking areas. Designed to deliver more energy savings and reduce maintenance costs when replacing up to 175W HID luminaire.



Product shown: DDLED2A1UNVNDXX750

Features

- Photoeye comes standard and ships with fixture
- Die-cast aluminum housing with gray, UV stabilized powder coat finish
- Arm for mounting available; option sold separately
- Frosted polycarbonate lens

Electrical

- Available in 120v-277v
- Non-dimming driver

Ambient Operating Range

See ambient operating table on page 2

Fixture Certification & Listings

- UL/cUL Listed for Wet Locations
- RoHS Compliant
- DesignLights Consortium™ Standard qualified luminaire
- Visit the [DLC QPL](#) for listed models

Rated Life

50,000 hours L70

Warranty

Orion HARRIS class LED fixtures are covered by a five-year limited warranty. Accessories and individual components are covered by separate OEM supplier warranties.



DDLED2

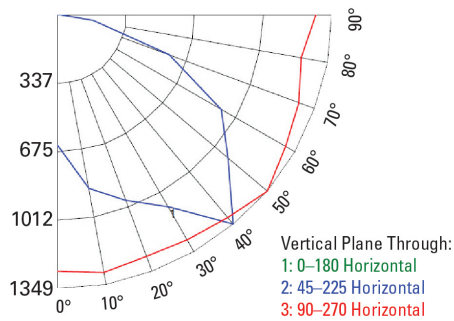
Performance Information³

| Series | Nominal Lumen Code | Actual Lumens | Input Voltage | Wattage | LPW | CCT | CRI | Input Current | Power Factor |
|--------|--------------------|---------------|---------------|---------|-----|-------|-----|---------------|--------------|
| DDLED2 | A1 | 4,504lm | 120v | 39w | 115 | 5000K | ≥70 | 0.33A | >.90 |

Photometrics

Visit orionlighting.com to obtain all .IES files

A1 750



Ambient Operating Temperatures

| Nominal Lumen Code | Standard Range |
|--------------------|--------------------------------|
| A1 | -40°C to 40°C [-40°F to 104°F] |

Physical Information

| Length | Width | Depth | Weight |
|--------|--------|-------|----------|
| 13.90" | 10.00" | 6.90" | 5.70lbs. |

DDLED2

Ordering Information Example (NOTE: No dashes or spaces unless noted below)

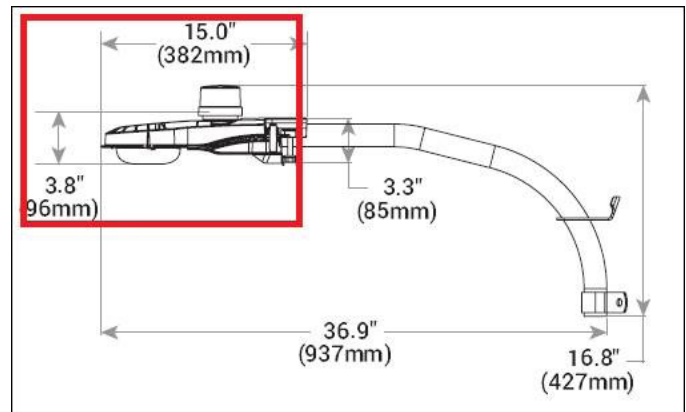
| Series | Nominal Lumen Code | Voltage | Driver Type | CRI; Color Temp |
|--------|--------------------|---------|-------------|-----------------|
| DDLED2 | A1 | UNV | NDXX | 750 |

Ordering Information

| Series | Nominal Lumen Code ¹ | Voltage | Driver Type ² | CRI; Color Temp |
|---|---------------------------------|--------------------------|-----------------------------|-----------------------------|
| DDLED2= HARRIS LED Dusk to Dawn Site Light, Gen 2 | A1= 5,000lm | UNV= 120v-277v | NDXX= Non-Dimming | 750= 70CRI; 5000K |

Accessories (Field Installed)

| Mounting Options | |
|------------------|--|
| EXT-DDGL-AAA-002 | 24" Length Mounting Arm, Galvanized Steel Finish, Round Pole Application |



24" Mounting Arm [EXT-DDGL-AAA-002]

Additional Specification Information

¹ For actual lumens, see performance table

² "XX" is a character placeholder for the manufacturing configuration

³ Actual performance may vary by up to ±10% of values listed; facility factors and fixture options can affect performance values.