

HARRIS LED Quick Access Strip, Gen 1

Instruction Number: P-INT-X-435

Product Series: HQAS1



WARNING!

Risk of fire or electric shock. To reduce risk of electrical shock, turn off power supply before installation or servicing.

1. Field installers are responsible for recognizing specific site requirements and making adjustment to assure a complete, functional installation.
2. Electrical connections must be made by a qualified electrician and in accordance with NEC and local codes.
3. Make all power connections using UL listed components.
4. Make sure the supply voltage is the same as the rated voltage of the luminaire.
5. Proper grounding is required to ensure safety.
6. Please wear gloves to avoid injury before installation.
7. Check if there is any damage during shipping. If so, contact manufacturer immediately.
8. Read the installation instruction carefully to check whether all the accessories are included. After confirmation, then install the fixture according to installation steps.
9. Appropriate safety equipment needed during installation, to be determined by installer and per applicable safety standards and precautions.

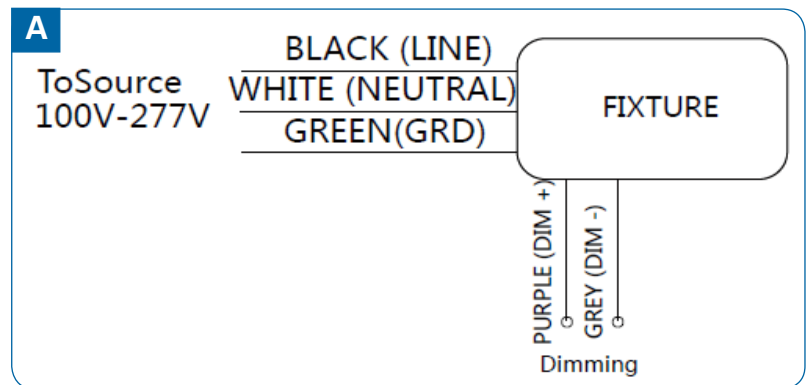
Use this instruction for standard assembly instruction for the HQAS1 Strip Fixture.

Tools Required for Installation

- Cordless drill
- Philips Screwdriver
- Wire cutter/striper
- Wire nuts
- Level

Step-by-Step Instructions

- 1** Turn off power supply before installation. Review product label for voltage and amperage load per fixture.
- 2** Make all electrical connections per NEC and local codes. Cap each dimming wire separately if not used. (See Fig. A)
- 3** Restore power to fixture and test.



HARRIS LED Quick Access Strip, Gen 1

Instruction Number: P-INTX-435

Product Series: HQAS1

Use this instruction to surface mount the HQAS1 fixture (4' fixture version shown, 8' fixture lengths kit components will vary).

Components

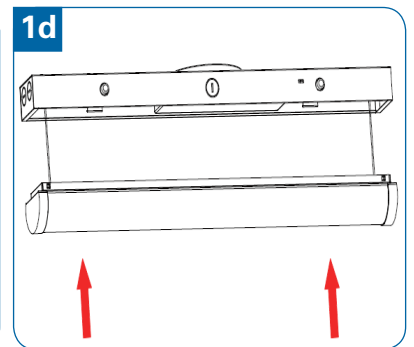
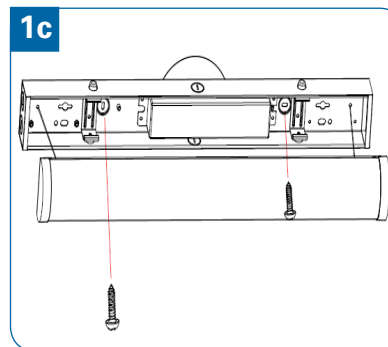
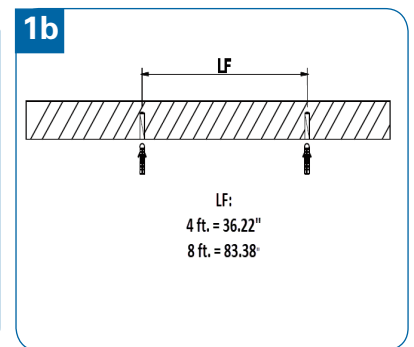
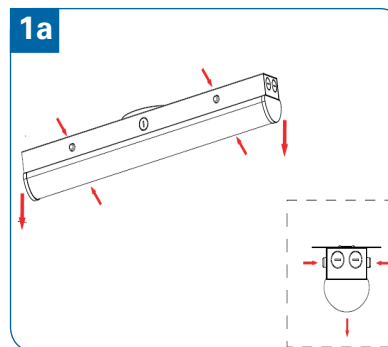
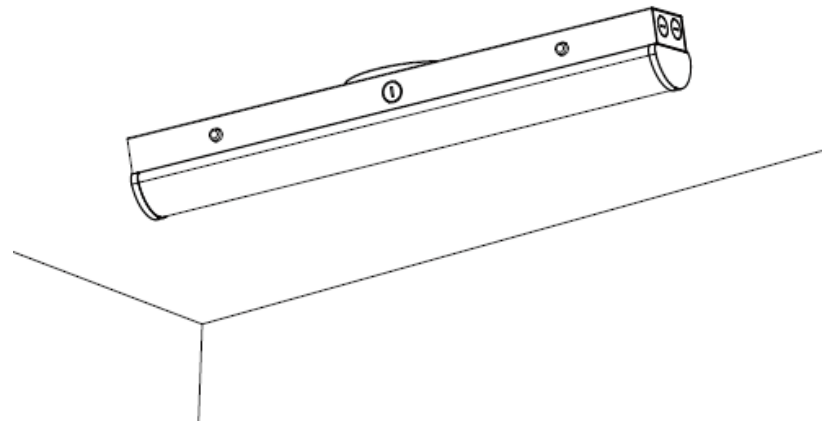
- 1 HQAS1 4' Fixture
- 2 (2) Screw Anchors
- 4 (2) Screws
- 5 Junction Box Plate

Tools Required for Installation

- Cordless drill
- Wire cutter/striper
- Wire caps (self provided)

Step-by-Step Instructions

- 1 Turn off power. Remove all fixture components from packaging.
NOTE: Some components may ship separate for ease of assembly in the field.
- 2 Open the fixture housing and cover by pressing the buttons on both sides of the fixture (See Fig. 1a)
- 3 Predrill holes into mounting surface 36.22" apart and insert screw anchors (See Fig. 1b)
Note: For 8' fixture models predrill holes 83.38" apart.
- 4 Insert junction box plate on to the fixture housing (See Fig. 1c) and hold fixture flush against the ceiling.
- 5 Secure fixture housing to the ceiling by drilling the provided (2) screws into the screw anchors.
- 6 Make all electrical connections per NEC and local codes. The fixture must be properly grounded.
- 7 Secure LED module to fixture housing by snapping into place (See Fig. 1d)
CAUTION: Do not pinch wires
- 8 Restore power to fixture and test.



HARRIS LED Quick Access Strip, Gen 1

Instruction Number: P-INT-X-436

Product Series: HQAS1



WARNING!

Risk of fire or electric shock. To reduce risk of electrical shock, turn off power supply before installation or servicing.

1. Field installers are responsible for recognizing specific site requirements and making adjustment to assure a complete, functional installation.
2. Electrical connections must be made by a qualified electrician and in accordance with NEC and local codes.
3. Make all power connections using UL listed components.
4. Make sure the supply voltage is the same as the rated voltage of the luminaire.
5. Proper grounding is required to ensure safety.
6. Please wear gloves to avoid injury before installation.
7. Check if there is any damage during shipping. If so, contact manufacturer immediately.
8. Read the installation instruction carefully to check whether all the accessories are included. After confirmation, then install the fixture according to installation steps.
9. Appropriate safety equipment needed during installation, to be determined by installer and per applicable safety standards and precautions.

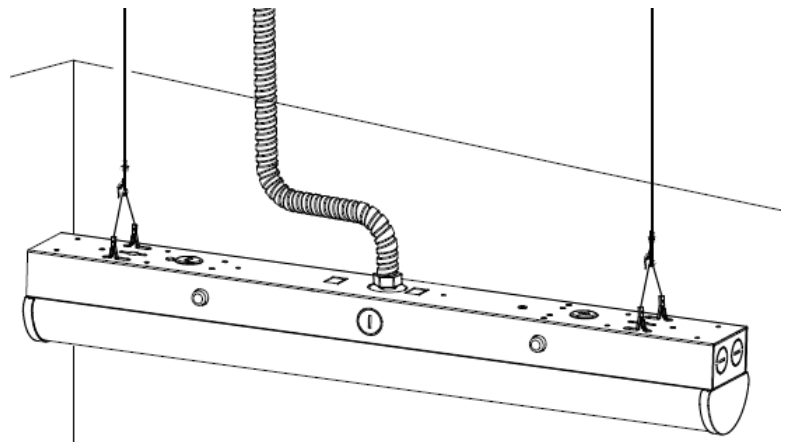
Use this instruction to suspended mount the HQAS1 fixture (4' fixture version shown, 8' fixture lengths kit components will vary).

Components

- 1 HQAS1 4' Fixture
- 2 HW-FC008 Cable Set OR HW-FC003 Cable Set

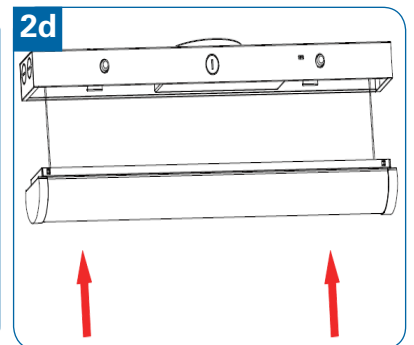
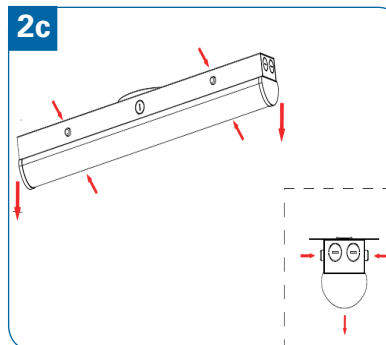
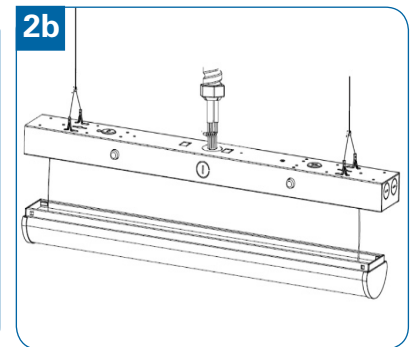
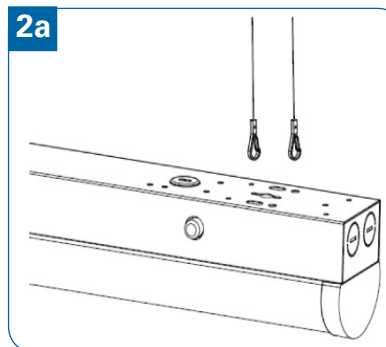
Tools Required for Installation

- Cordless drill
- Wire cutter/striper
- Wire caps (self provided)



Step-by-Step Instructions

- 1 Turn off power. Unpack all listed components above.
Note: Some components may ship separate for ease of assembly in the field.
- 2 Thread tail of adjustable cable and loops around building structure and pass the tail of the cable through the loop and pull tight. Repeat this step for the second cable. Ensure cables are approximately 42" apart and hung vertically.
- 3 Insert cable into height adjuster. Repeat this step for second height adjuster.
- 4 Insert end of cable with toggles or carabiners through designated holes in the back of the housing (See Fig. 2a). Repeat this step for the second cable on opposite side of fixture. (See Fig. 2b)
- 5 Place level on fixture and adjust the cables until fixture is level with the ground (do not hang fixture on an angle (i.e. one end lower than the other). Cut off additional wire on cable; leave extra for future cable adjustments.
- 6 Open fixture housing by pressing the buttons on both sides of the fixture (See Fig. 2c)
- 7 Make all electrical connections per NEC and local codes.
- 8 Secure LED module to fixture housing by snapping into place (See Fig. 2d) **CAUTION:** Do not pinch wires
- 9 Restore power to fixture and test.



HARRIS LED Quick Access Strip, Gen 1

Instruction Number: P-INT-X-437

Product Series: HQAS1



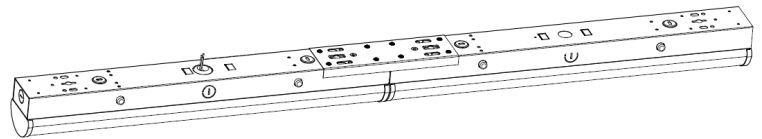
WARNING!

Risk of fire or electric shock. To reduce risk of electrical shock, turn off power supply before installation or servicing.

- Field installers are responsible for recognizing specific site requirements and making adjustment to assure a complete, functional installation.
- Electrical connections must be made by a qualified electrician and in accordance with NEC and local codes.
- Make all power connections using UL listed components.
- Make sure the supply voltage is the same as the rated voltage of the luminaire.
- Proper grounding is required to ensure safety.
- Please wear gloves to avoid injury before installation.
- Check if there is any damage during shipping. If so, contact manufacturer immediately.
- Read the installation instruction carefully to check whether all the accessories are included. After confirmation, then install the fixture according to installation steps.
- Appropriate safety equipment needed during installation, to be determined by installer and per applicable safety standards and precautions.

Use this instruction to continuous mount the HQAS1 fixture (4' fixture lengths, kit components will vary based on desired continuous mount length).

NOTE: To suspended mount or surface mount fixture, see instructions provided with fixture and specific component kit packaging.



Components

- HQAS1 Fixtures (Two 4' Fixtures Suspended Kit Shown)
- HQAS-CSM-KIT (Fig. A shows mounting plate) or HQAS-CSP-KIT (Fig. B shows mounting plate)

Tools Required for Installation

- Cordless drill
- Wire cutter/striper
- Wire caps (self provided)

Step-by-Step Instructions

- Turn off power. Unpack all listed components above.
Note: Some components may ship separate for ease of assembly in the field.
- Open the fixtures housing by pressing the buttons on both sides of the fixture, for each fixture. For additional information this can be viewed in the standard instructions.
- Remove one end of each fixtures knockouts, this allows for wiring to be run through the ends of the fixtures.
- Place mounting plate (Fig. A or Fig. B) on the back end of the two fixtures housing you are connecting.
- Attach the plate to the two fixtures (Fig. 1 shows suspended option with required hardware)
- Follow the correlating surface or suspended mounting instructions.
- Run additional wires (See Fig. 2) to continuous mount fixtures and make electrical connections per NEC and local codes. The fixtures must be properly grounded.
- Secure LED module to fixture housing by snapping into place. **CAUTION:** Do not pinch wires
- Restore power to fixture and test.



Surface Mounting Plate



Suspended Mounting Plate
((8) 8 3/8" Sheet Metal Screws included with Suspended Mounting Plate)

