

WIRELESS HANDHELD CONFIGURATION TOOL

FSIR-100



DESCRIPTION

The FSIR-100 Wireless IR Configuration Tool is a handheld tool for remote configuration of IR-enabled fixture integrated sensors. The tool enables device modifications via pushbutton, without ladders or tools, and stores up to six sensor parameter profiles to speed configuration of multiple sensors.

OPERATION

Powered by three AAA batteries, the FSIR-100 features an easy-to-read organic LED (OLED) screen and bi-directional communication with IR-enabled fixture sensors. Its intuitive navigation pad provides a familiar interface for users who can see the current control parameters and make changes by navigating through simple menus. Adjustable sensor parameters include high and low modes, sensitivity, time delay, cut off and more. The FSIR-100 is also used to initiate automatic calibration of the ambient light level setpoint. The setpoint is used to hold the controlled lighting off or at low level when there is sufficient daylight.

FEATURES

- Establishes high and low mode light levels for 0-10V control
- Sets time delay, cut off time and sensitivity for motion detection
- Enables light level settings for either hold off control or daylighting control
- Initiates automatic setpoint configuration
- Allows ramp up and fade down rate adjustments
- Locks sensor settings to prevent unauthorized changes
- This product meets the materials restrictions of RoHS

IR COMMUNICATION

The FSIR-100 uses bidirectional IR communication to send and receive sensor settings at mounting heights up to 40 feet. The device can display previously established sensor parameters, copy parameters and send new parameters or stored parameter profiles. For projects where identical settings may be desired across a large number of areas or spaces, this capability provides a streamlined method of configuration. Settings can be copied throughout a site, or in different sites.

APPLICATIONS

Installers and end users can use the FSIR-100 for initial setup and subsequent sensor adjustment to ensure conformity with design intent. It simplifies changes to sensor settings by making the adjustment process ladder-free. It is compatible with IR-enabled Wattstopper HBP and FSP sensors. These products are ideal for use in parking facilities, gas station, pedestrian pathways and warehouse.

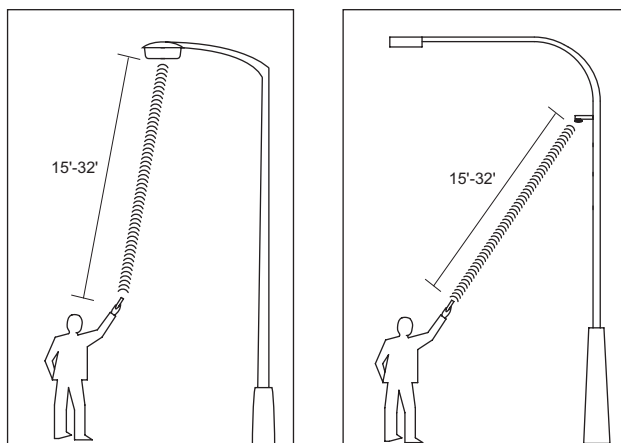
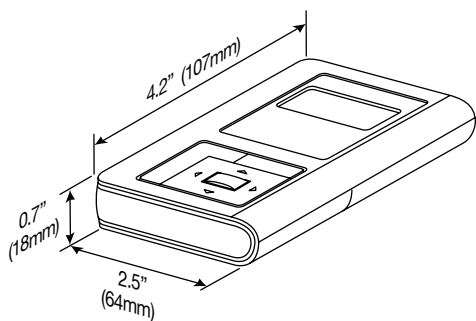
PROJECT

LOCATION/
TYPE

SPECIFICATIONS

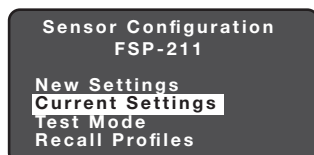
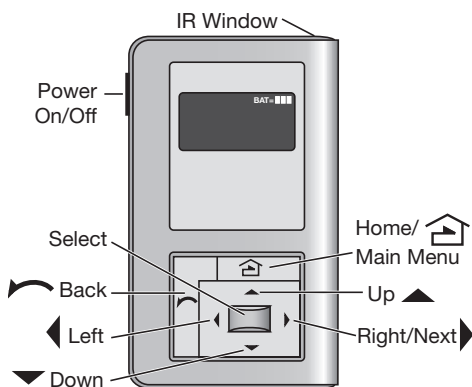
- Three AAA 1.5 volt batteries (included)
- OLED display 1.4" W x .75" H (36mm x 19mm)
- Infrared (IR) transceiver (36kHz frequency)
- IR range: up to 32' (10m)
- Includes carrying case with belt clip
- Operating temperature: 0-104°F (0-40°C)
- FCC part 15 compliant
- TUV EMC compliant
- Five year warranty

DIMENSIONS & IR COVERAGE

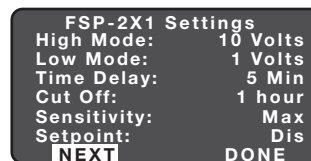


* Distance may vary depending on the lighting environment

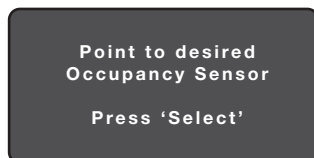
CONTROLS & MENUS



Choose Current Settings ▼ Press Select



Press Select to View More Settings



Point and Press Select



Typical FSIR-100 screens. Complete menu and navigation information is available in the FSIR-100 User Guide.

ORDERING INFORMATION

Catalog #	Description
FSIR-100	Wireless Handheld Configuration Tool